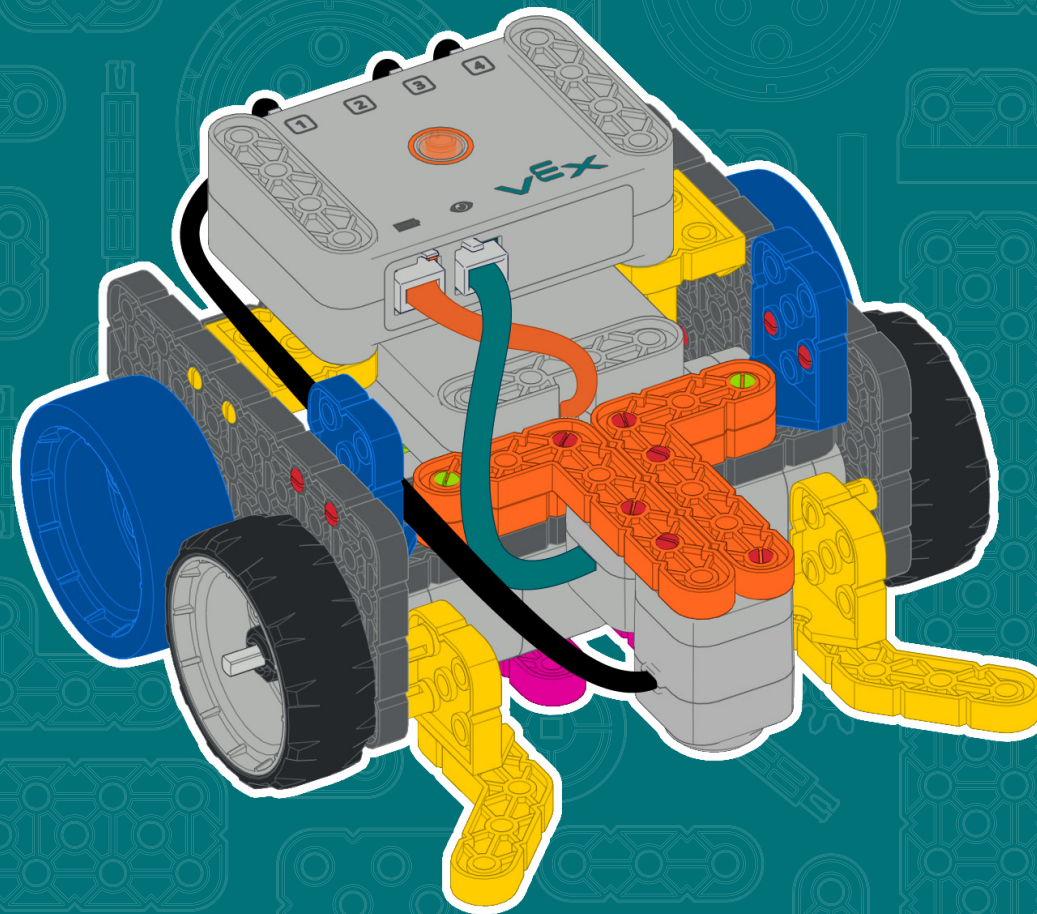
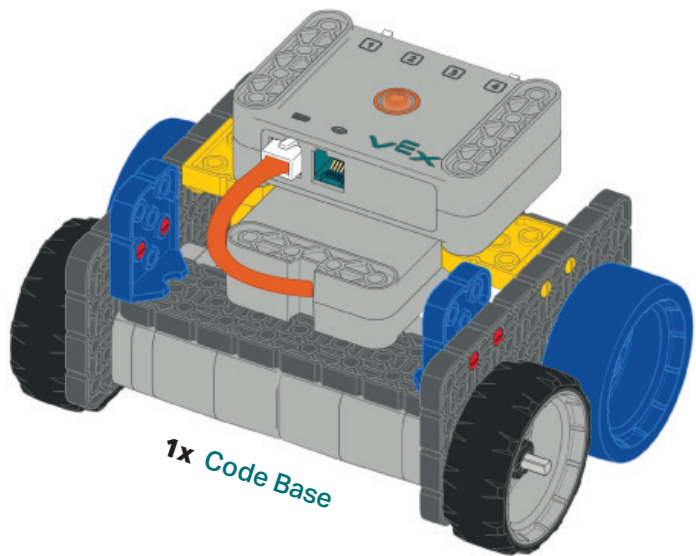


VEX GO

Code Base - Eye + Electromagnet
Build Instructions

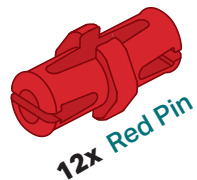




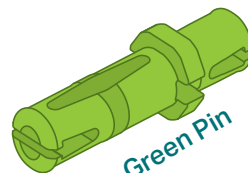
1x Code Base



Pins

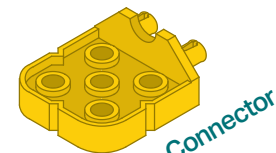


12x Red Pin



2x Green Pin

Connectors

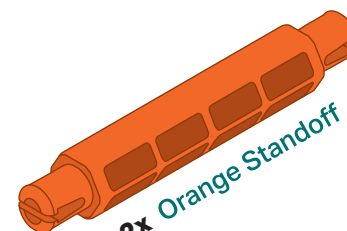


2x Yellow Connector

Standoffs

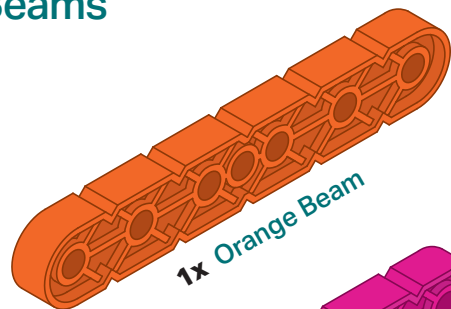


4x Yellow Standoff

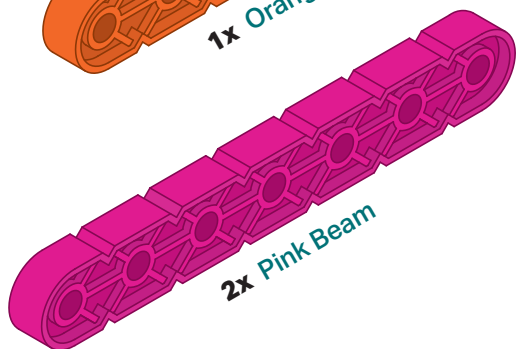


2x Orange Standoff

Beams

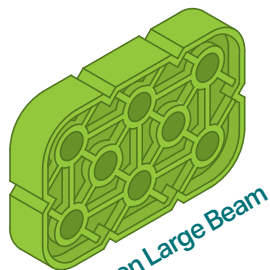


1x Orange Beam



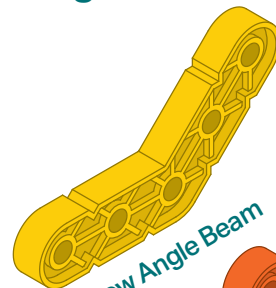
2x Pink Beam

Large Beams

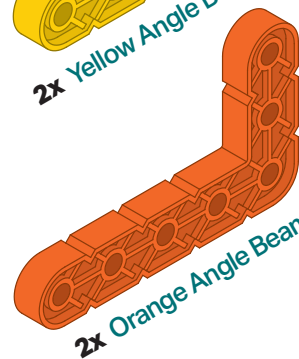


1x Green Large Beam

Angle Beams

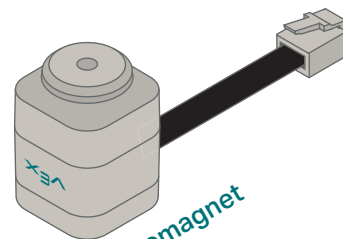


2x Yellow Angle Beam

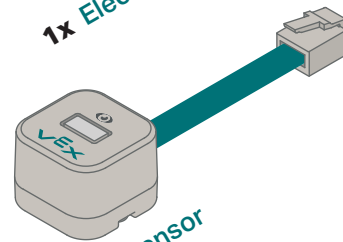


2x Orange Angle Beam

Electronics

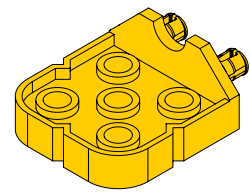
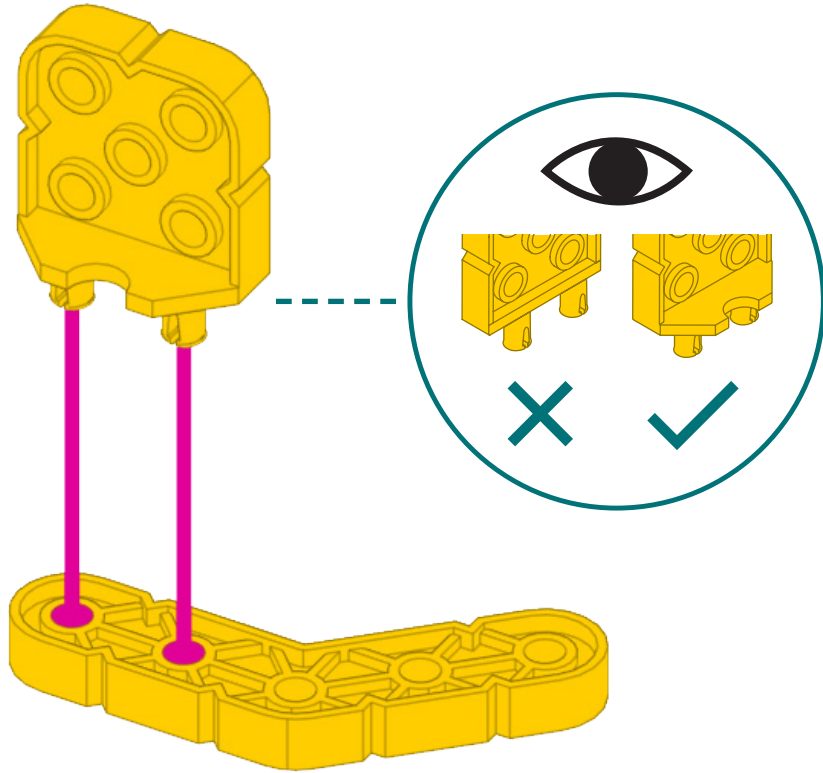


1x Electromagnet

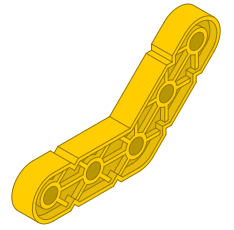


1x Eye Sensor

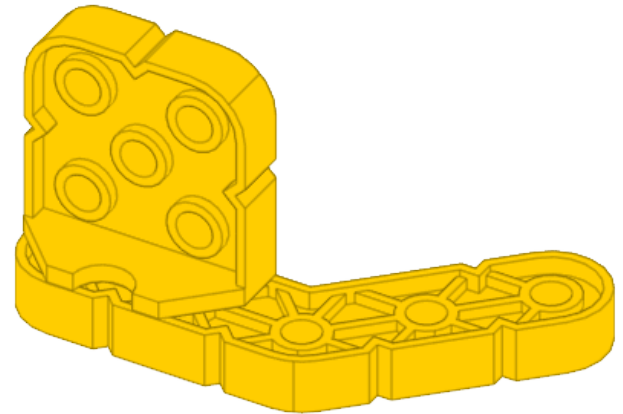
1



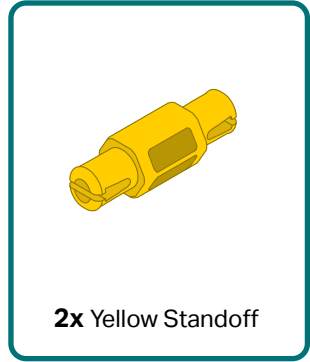
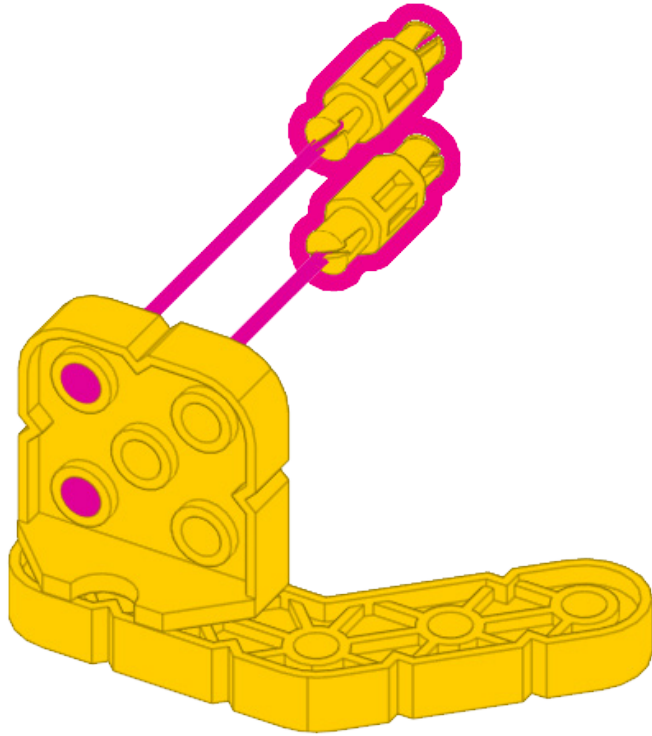
1x Yellow Connector



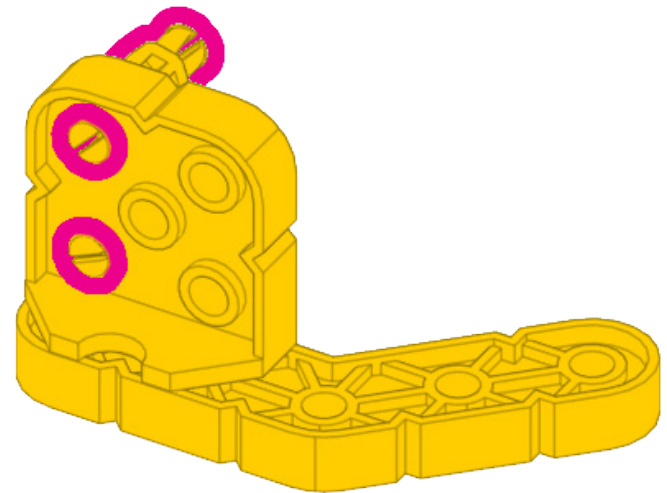
1x Yellow Angle Beam



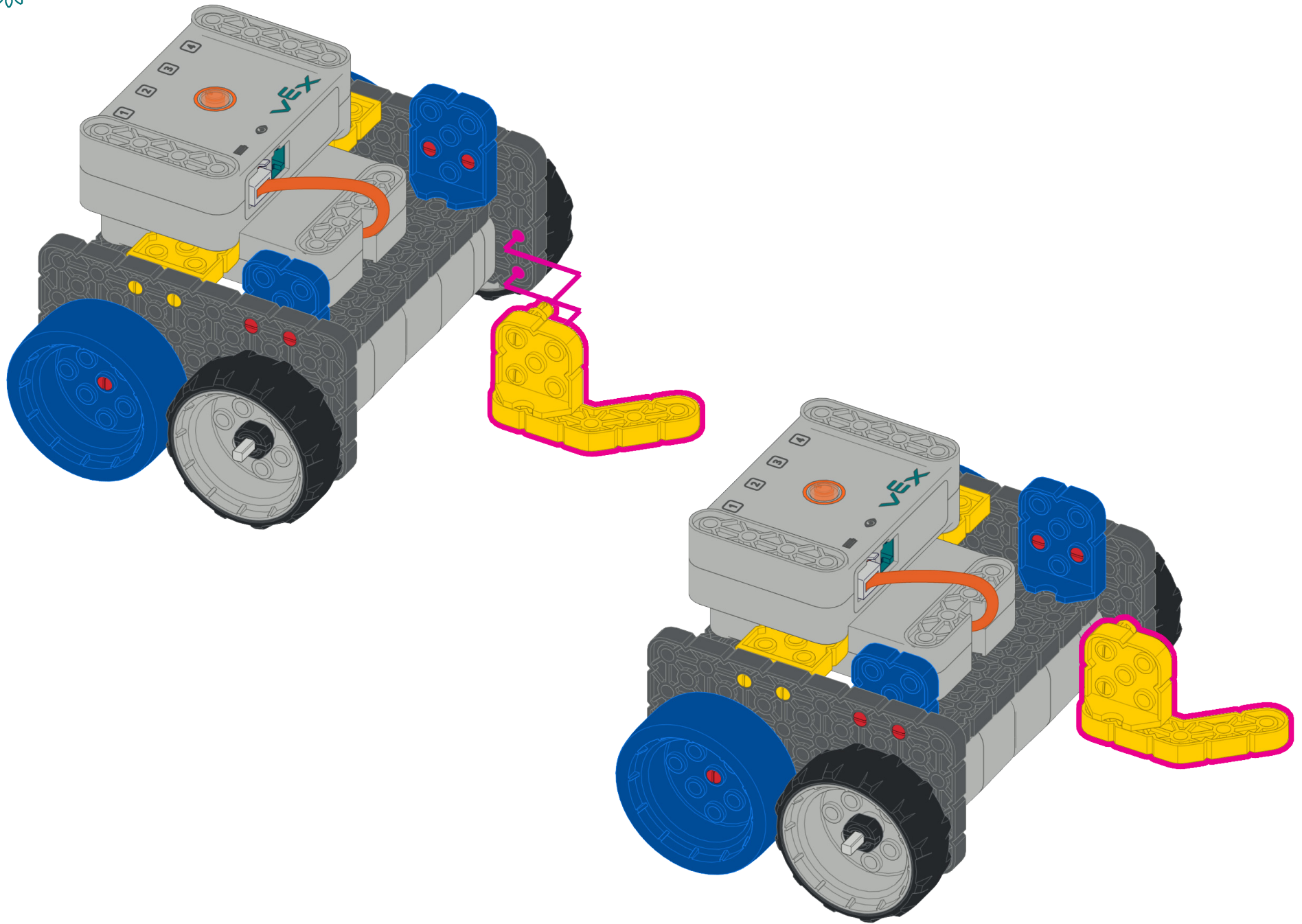
2

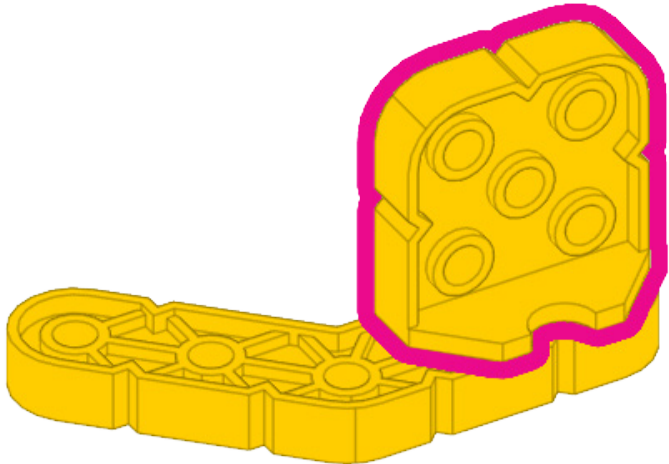
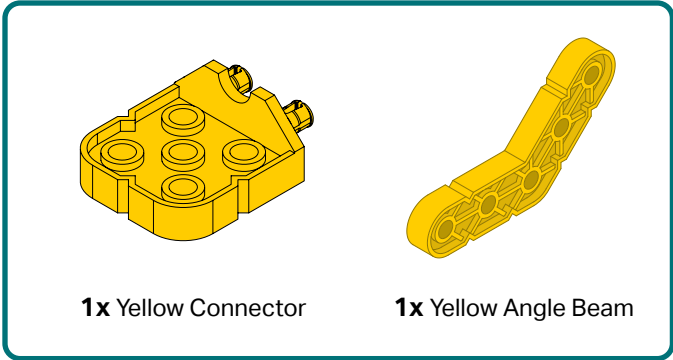
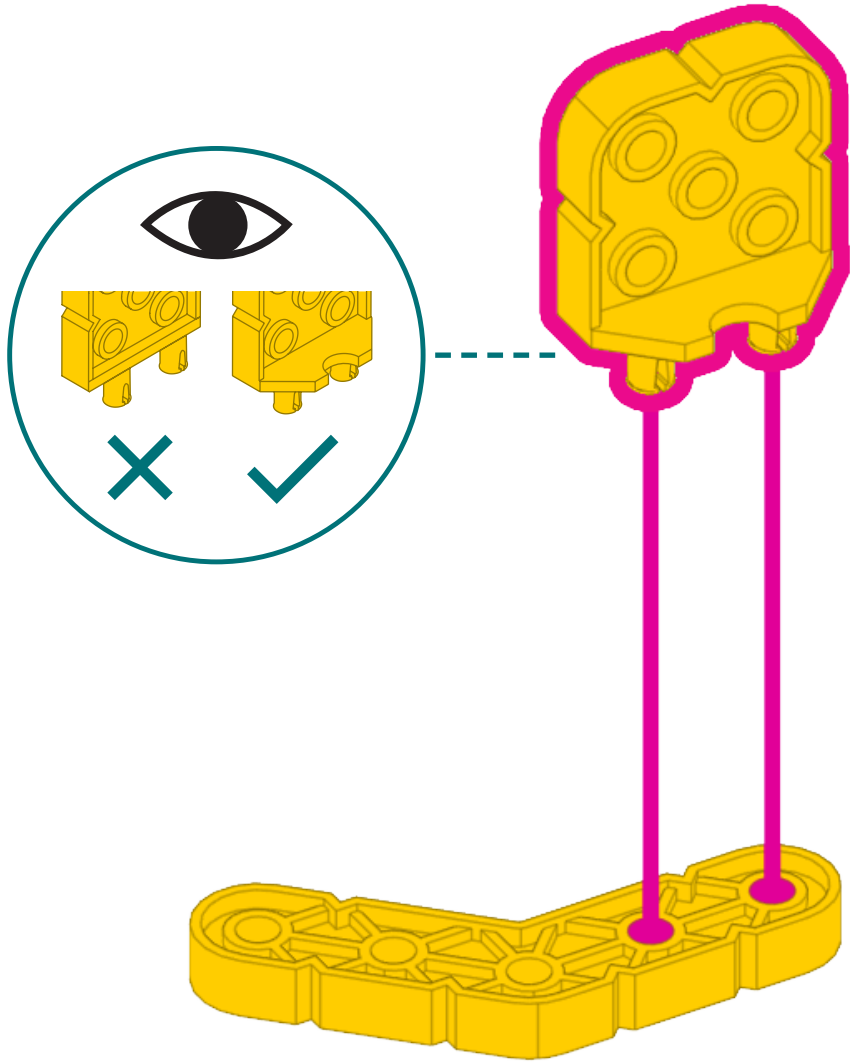


2x Yellow Standoff

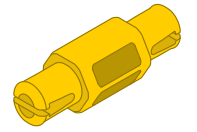
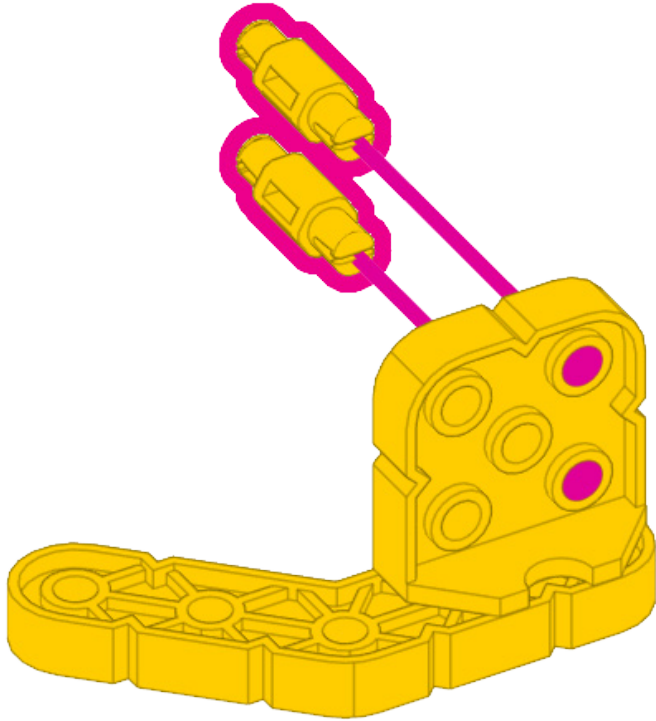


3

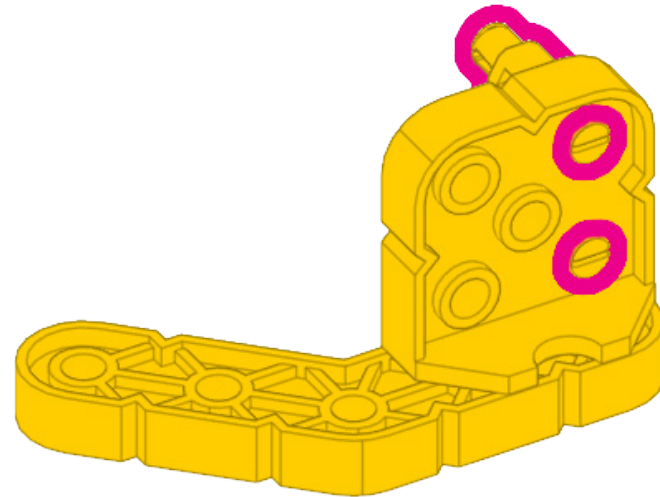


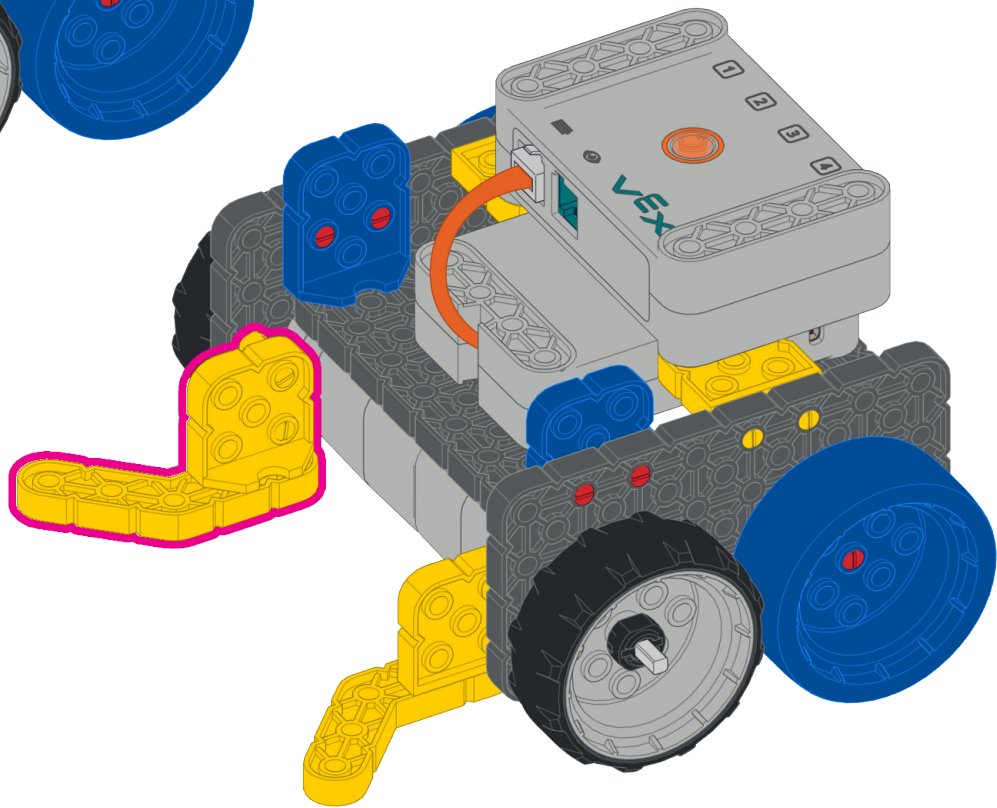
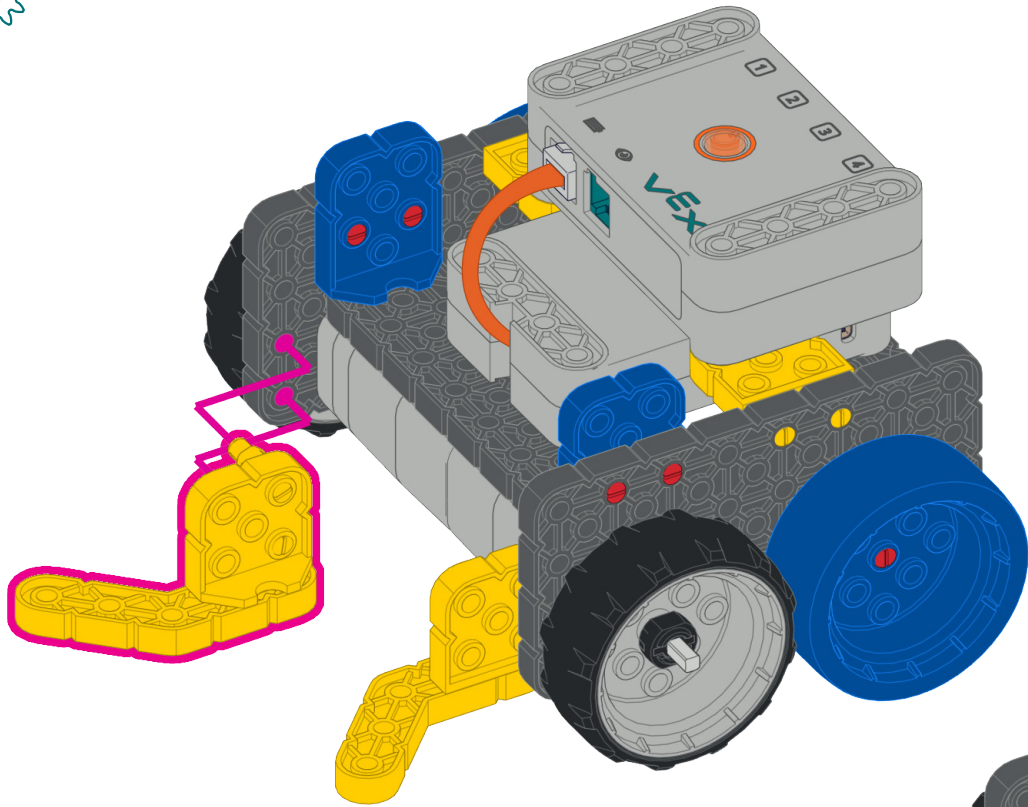


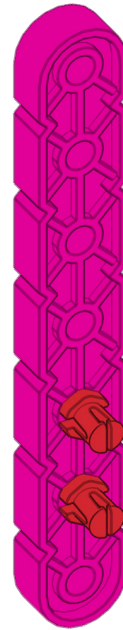
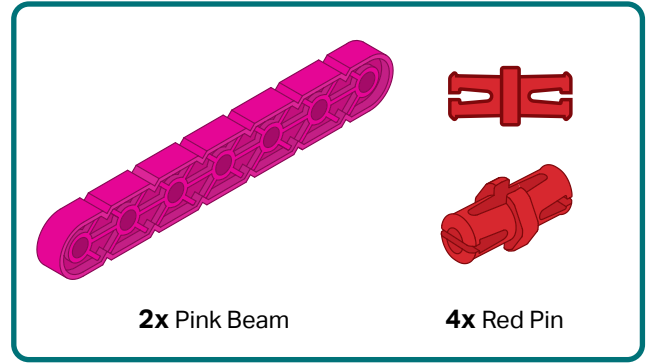
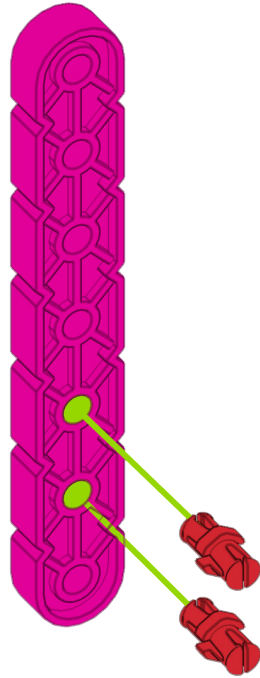
5



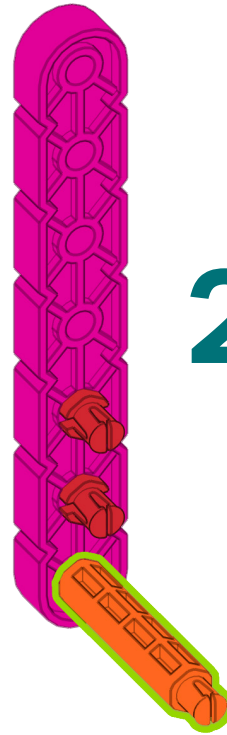
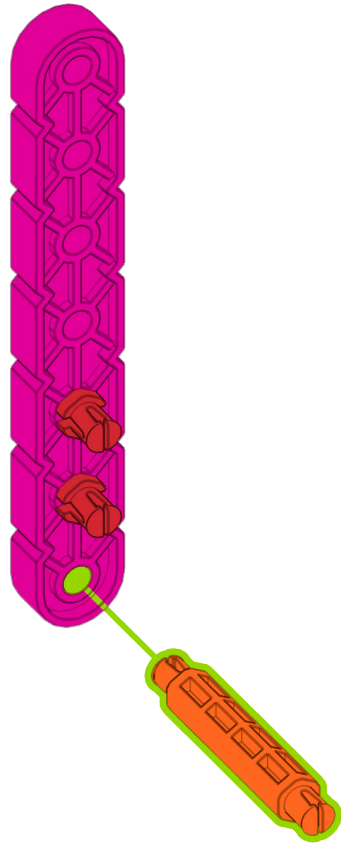
2x Yellow Standoff



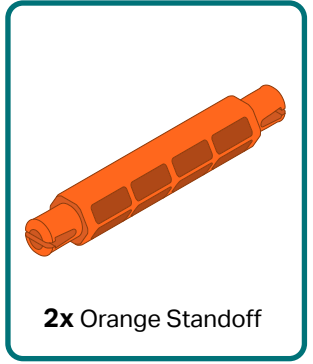




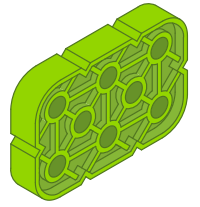
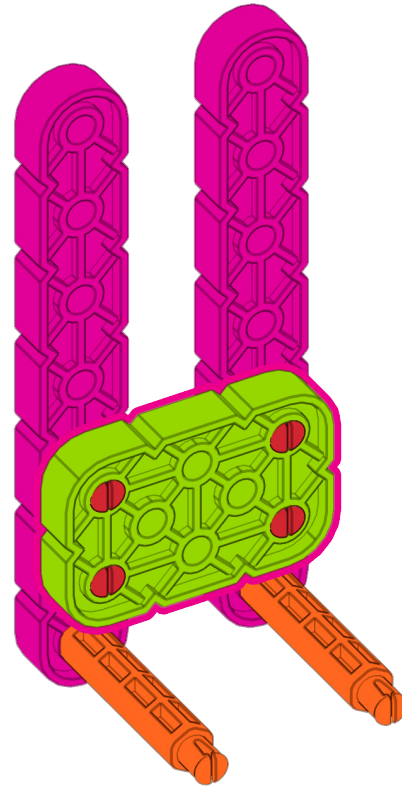
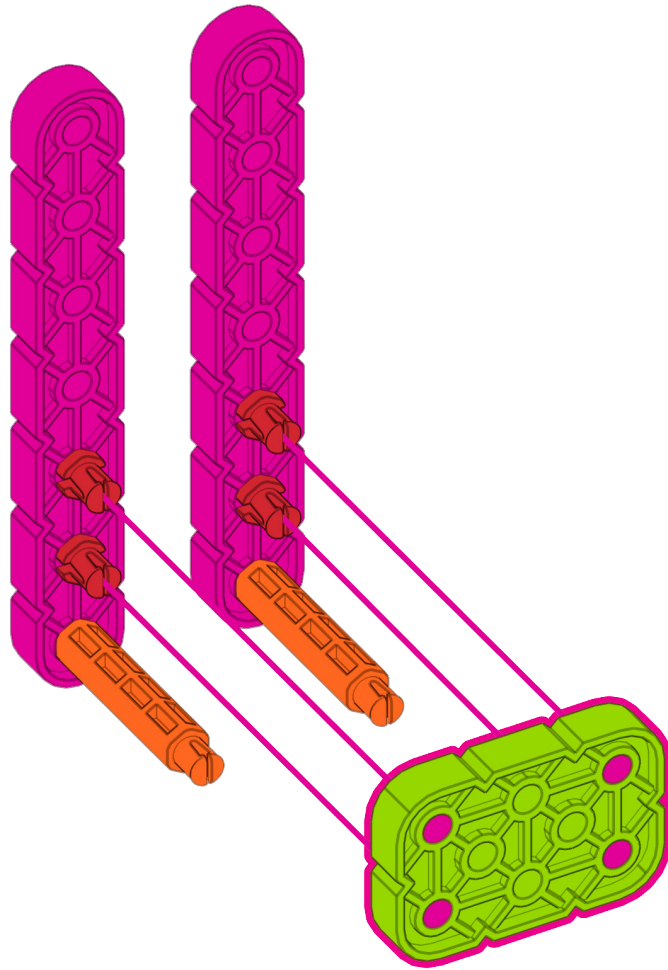
2x



2x

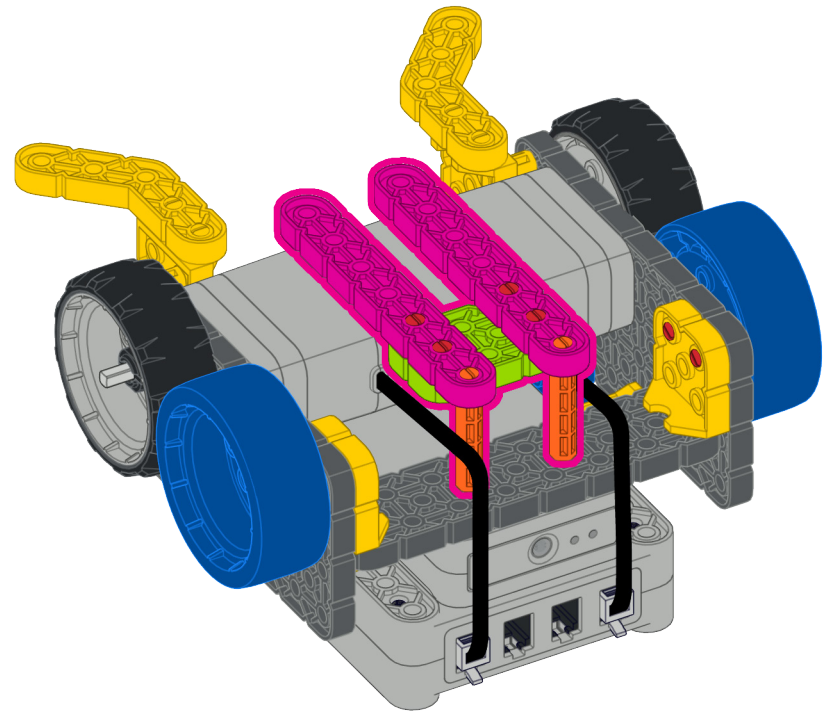
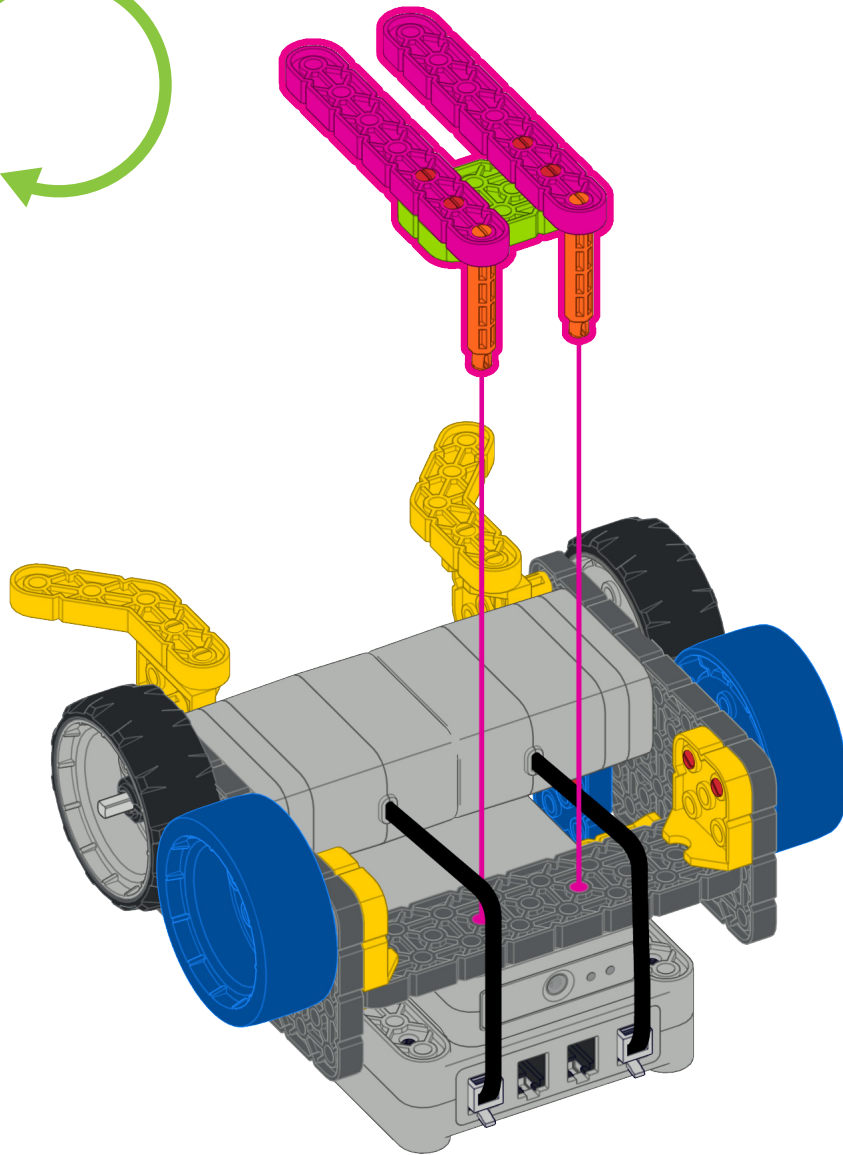
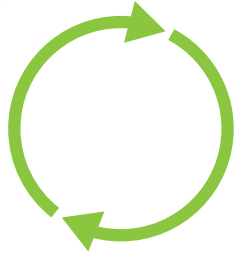


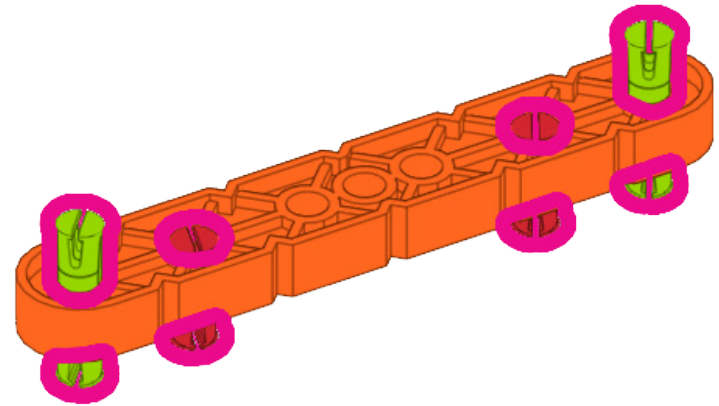
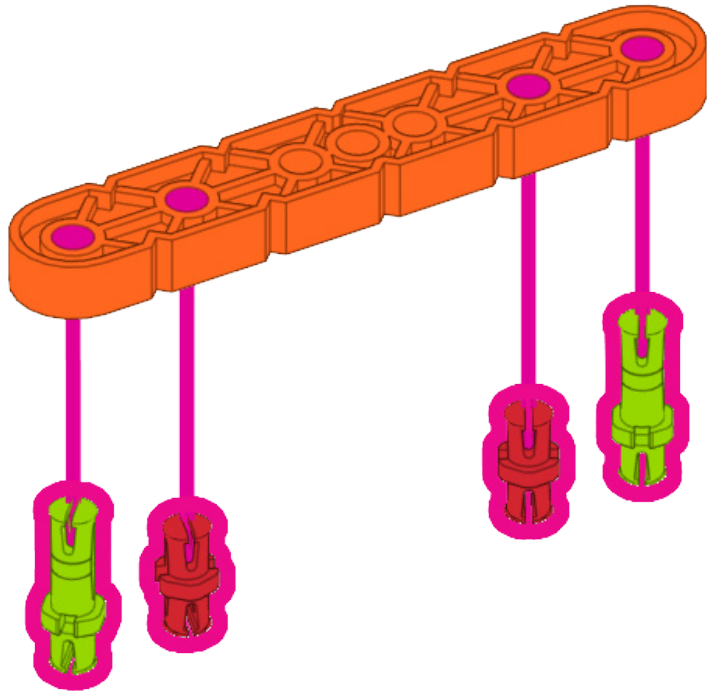
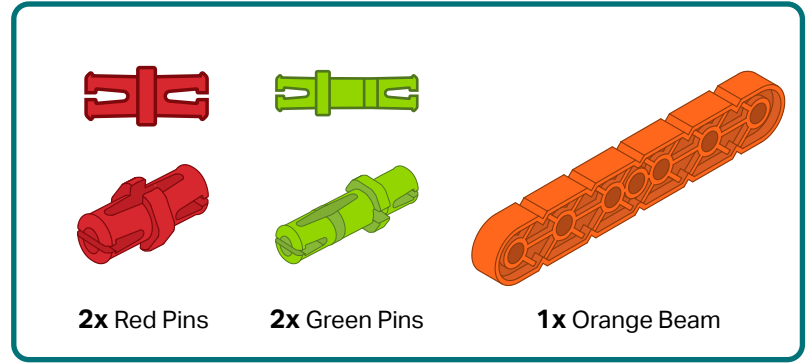
2x Orange Standoff

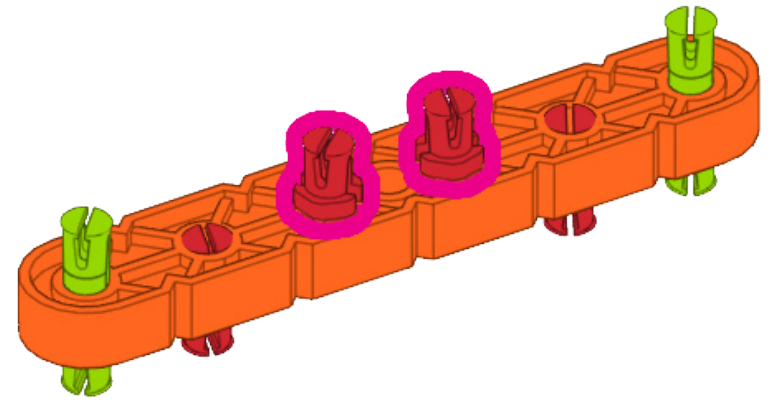
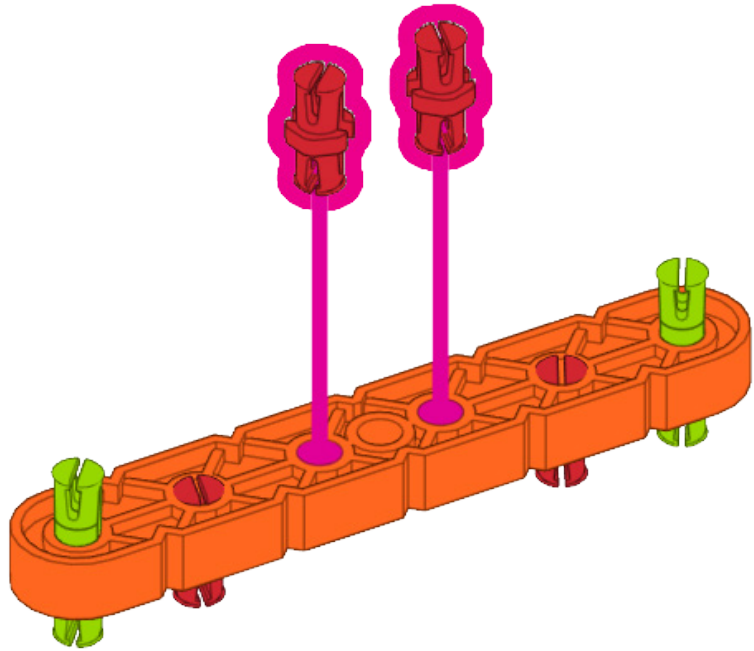
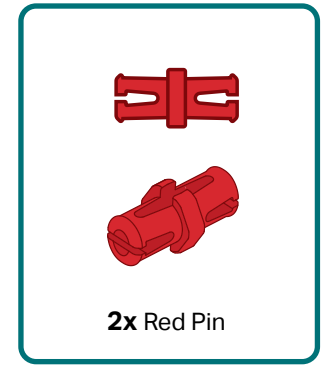


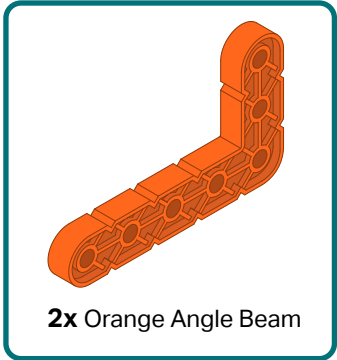
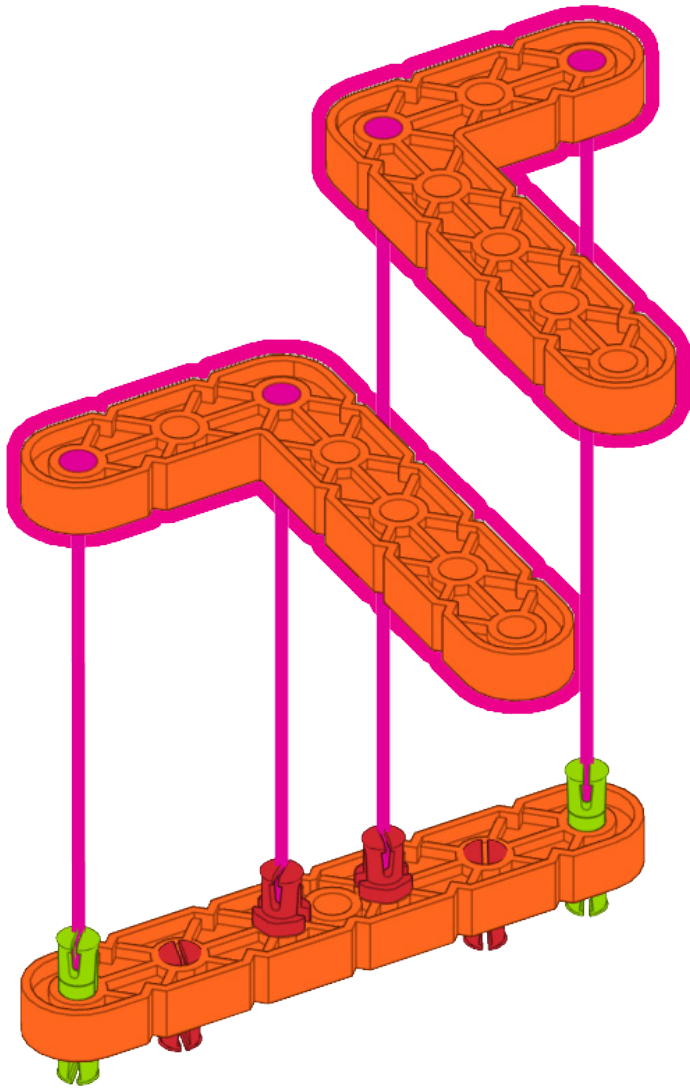
1x Green Large Beam

10

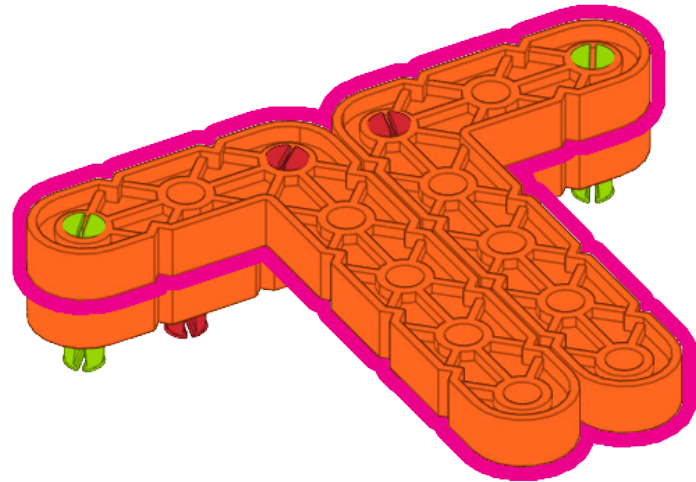


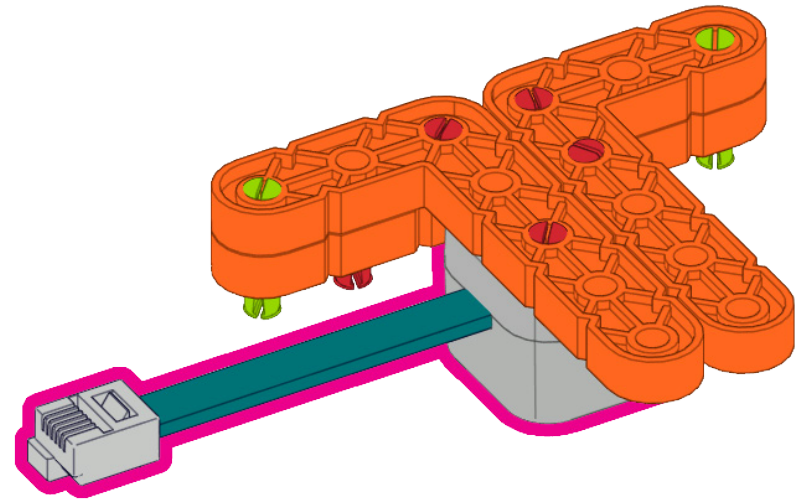
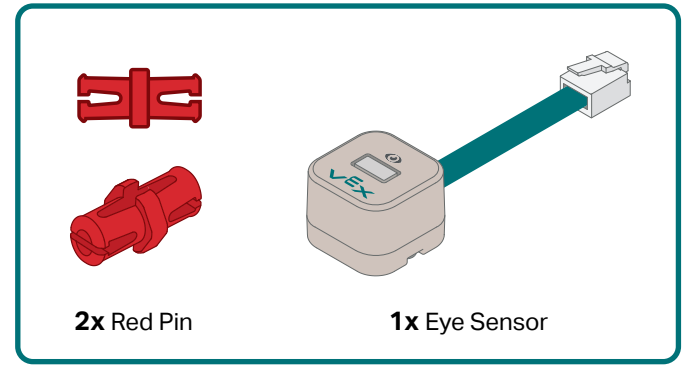
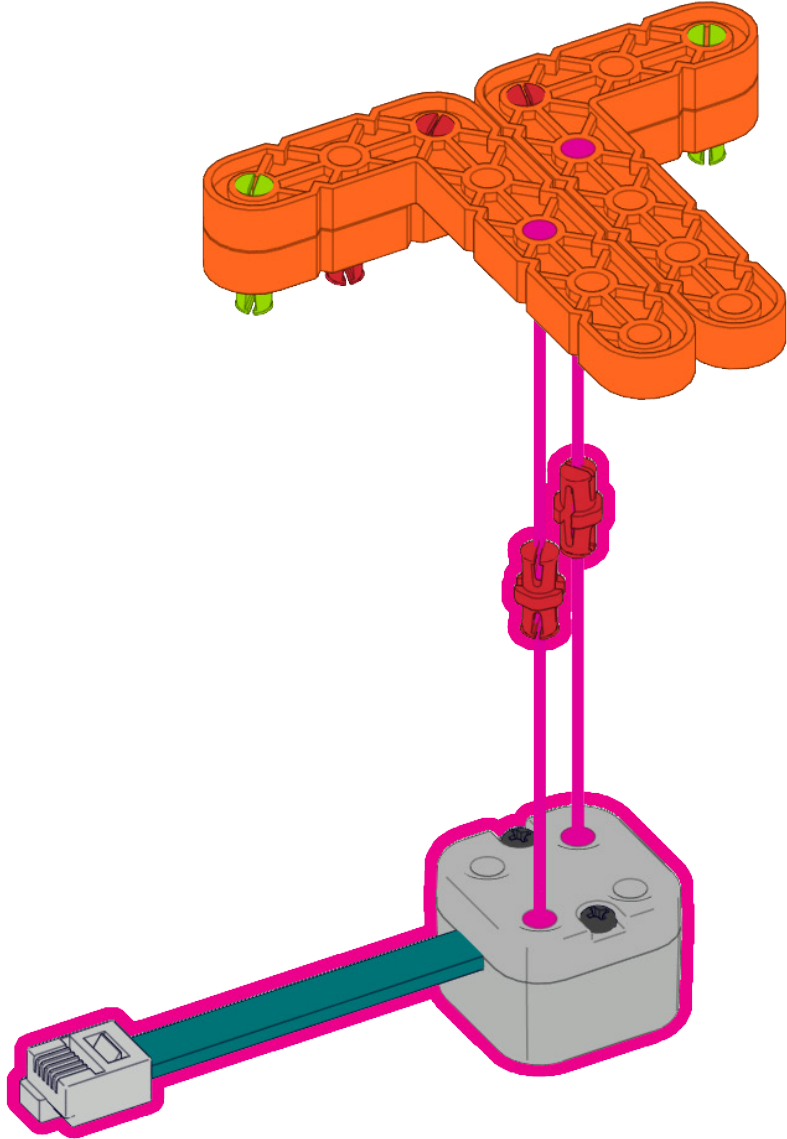


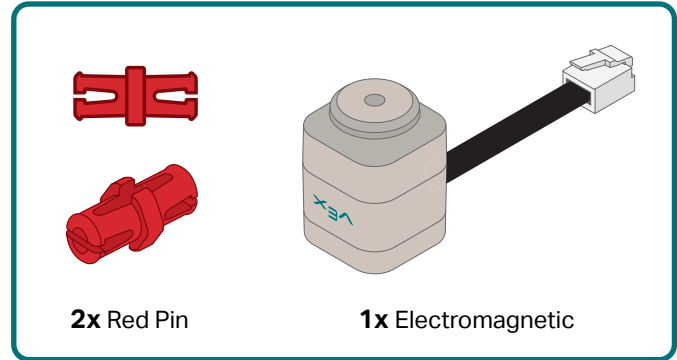




2x Orange Angle Beam



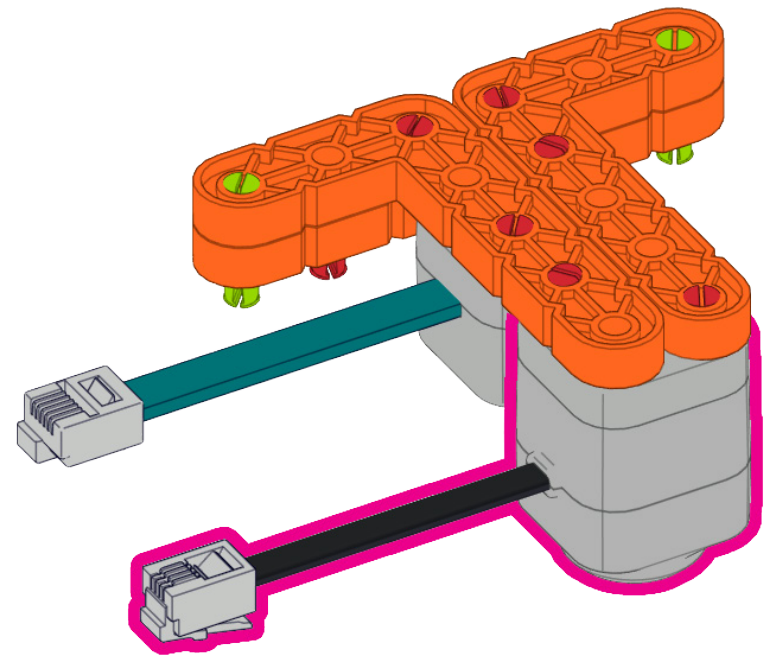
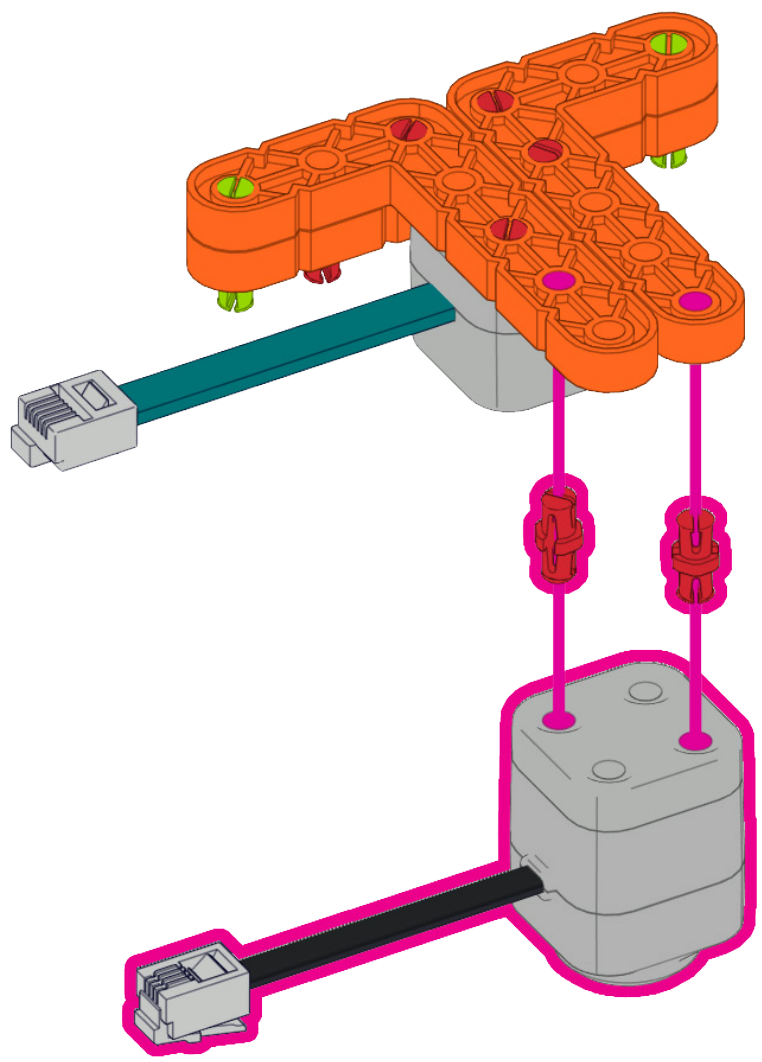


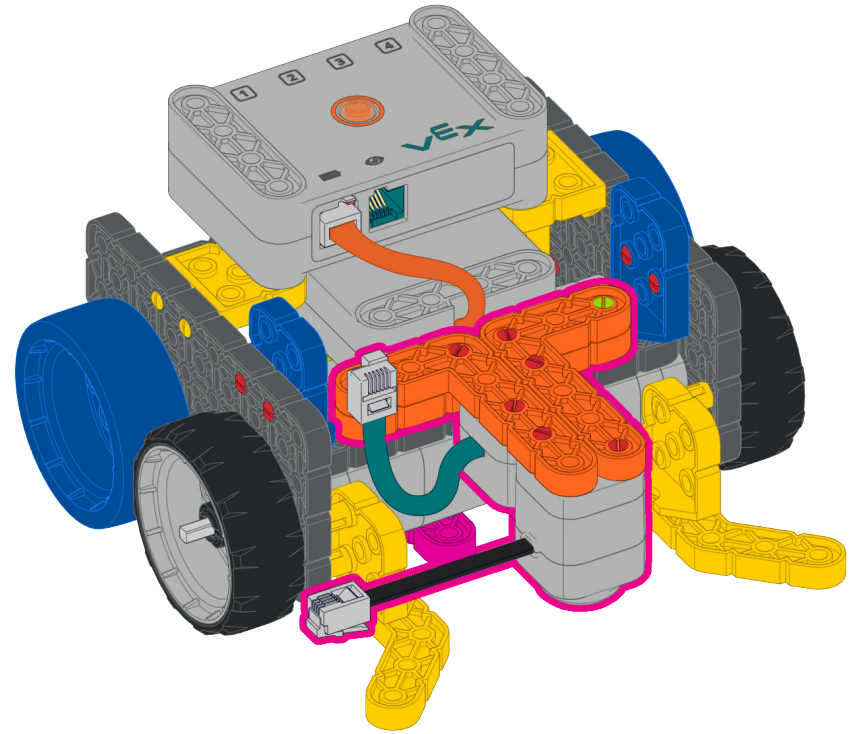
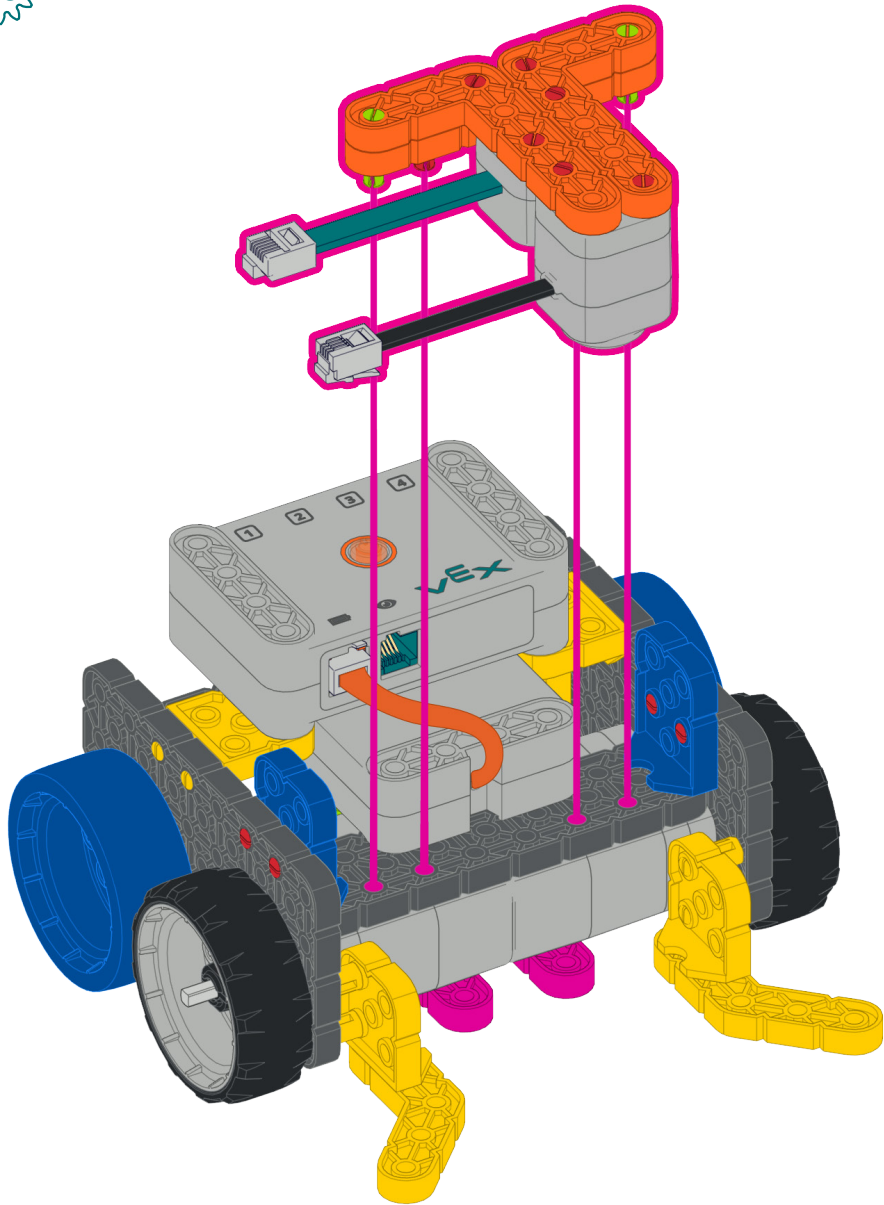


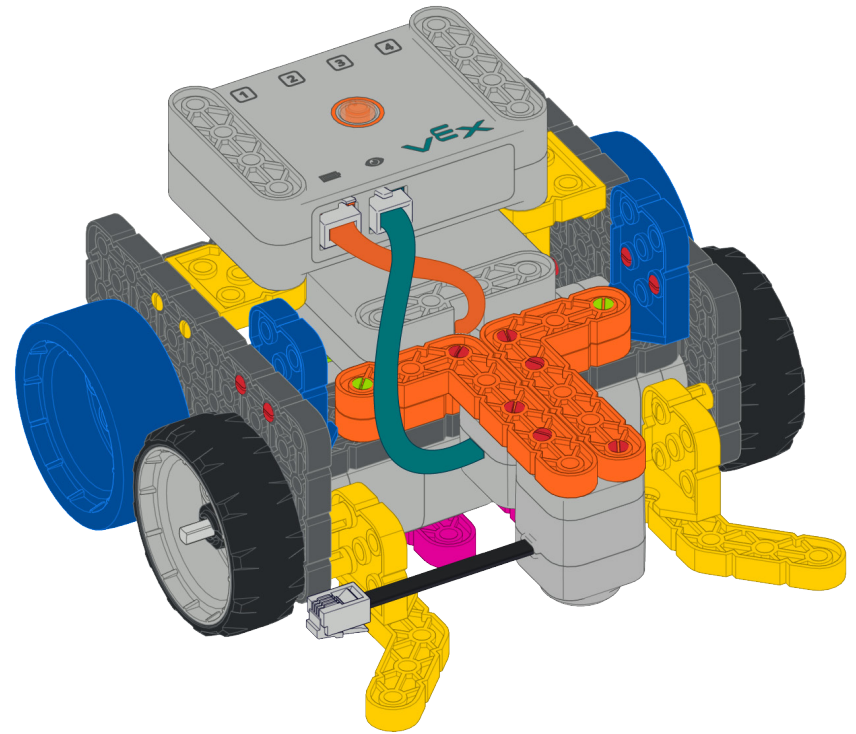
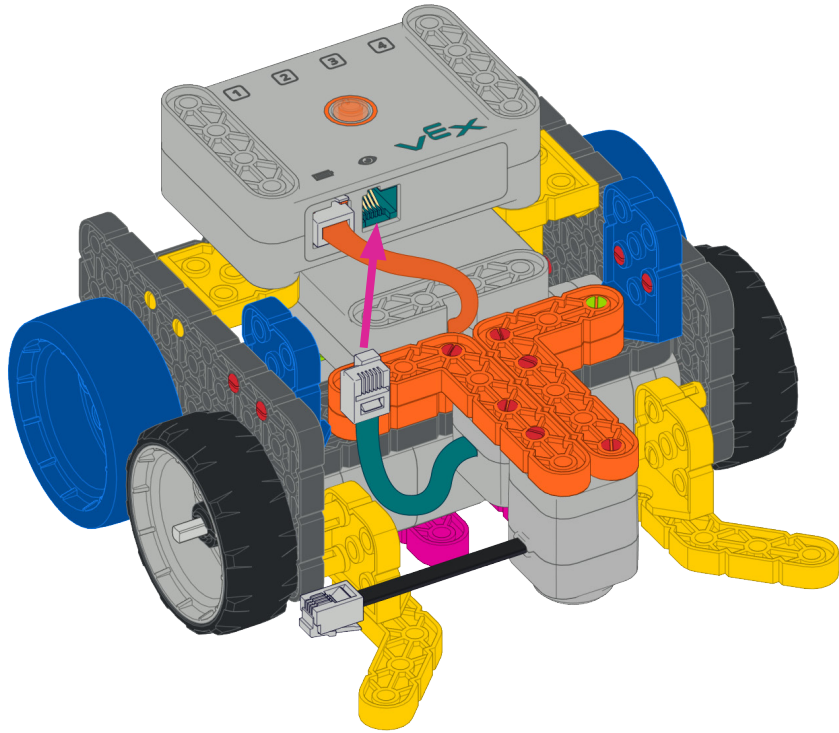
2x Red Pin

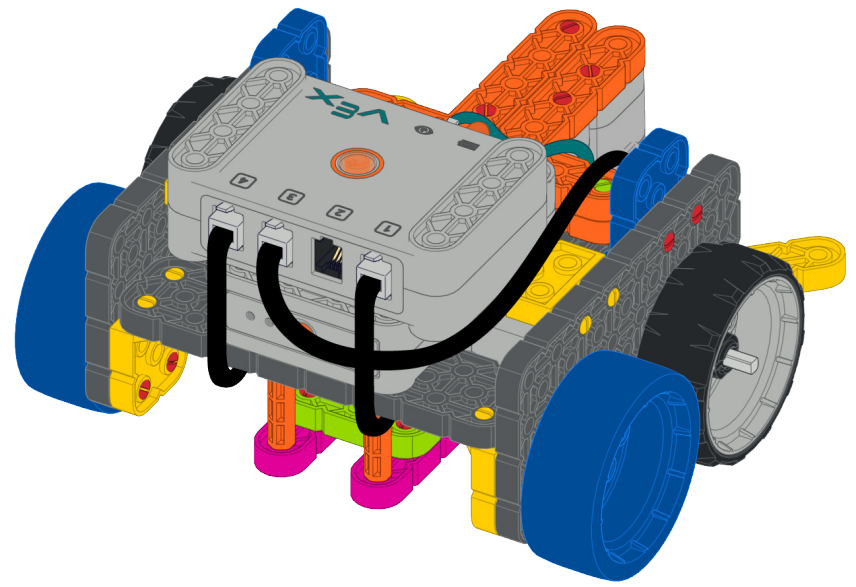
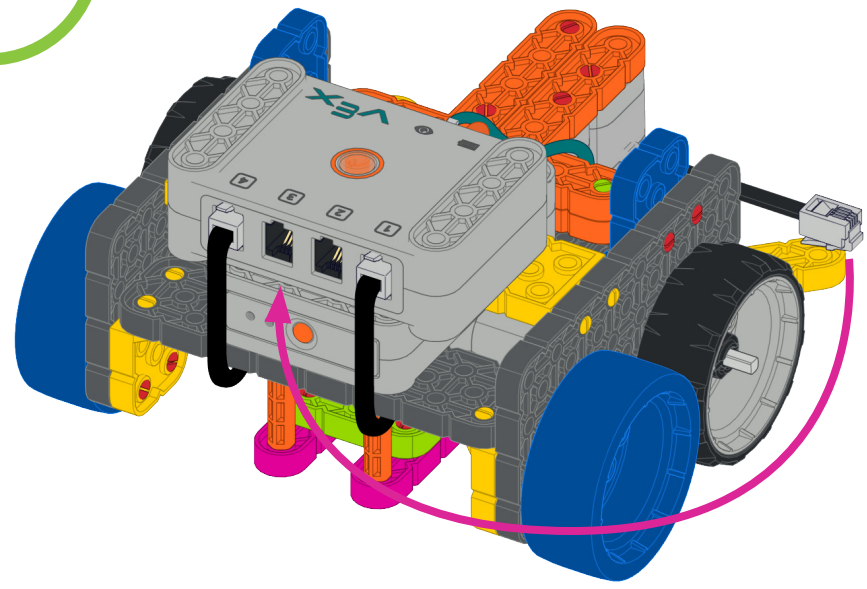
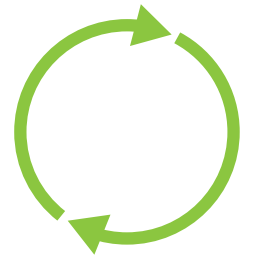
1x Electromagnetic

This diagram shows the required parts for step 15. It includes two red pins, one shown as a pair of prongs and another as a single cylindrical piece. It also shows one electromagnetic component, which is a grey rectangular block with a black cable and a white connector. The text '2x Red Pin' and '1x Electromagnetic' is printed below their respective images.









Code Base - Eye + Electromagnet

269-6913-170 Rev7



Custom manufactured in China for Innovation First Trading SARL. Distributed in the U.S.A, Mexico, Caribbean, Central & South America by VEX Robotics, Inc., 6725 W. FM 1570, Greenville, TX 75402, U.S.A. Distributed in China by Innovation First International (Shenzhen) Ltd., Suite 1906, Excellence Tower, 98 Fuhua Yi Road, Futian, Shenzhen, Guangdong, China 518048. Distributed in other regions by Innovation First Trading SARL, Innovation First Trading SARL, Parc Logistique Eurohub Sud, 3434 – Dudelange, Luxembourg +352 27 86 04 87. Distributed in Canada by / Distribué au Canada par / Innovation First Trading, LLC, 6725 W. FM 1570, Greenville, TX 75402, U.S.A.