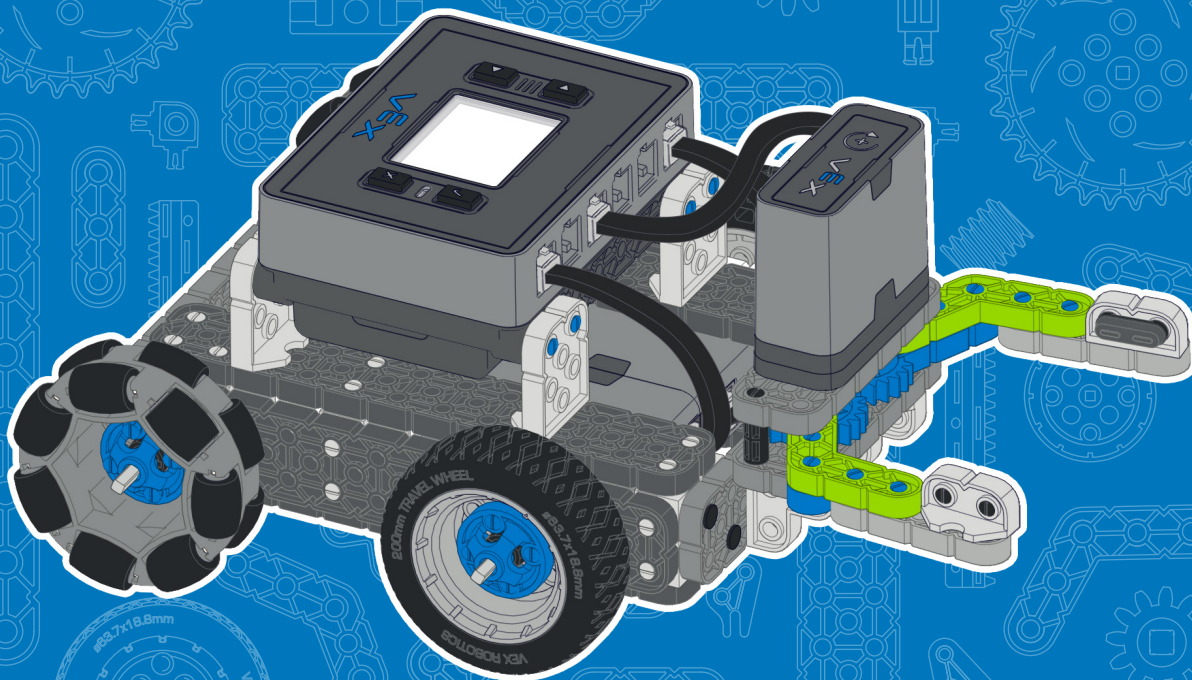


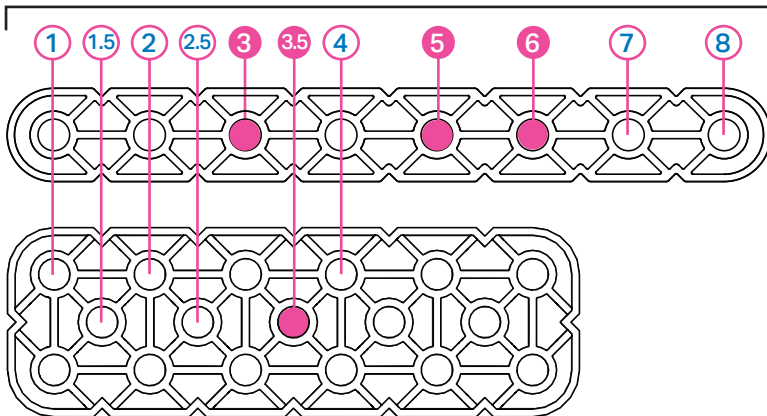
# VEX IQ

## Simple Clawbot Build Instructions

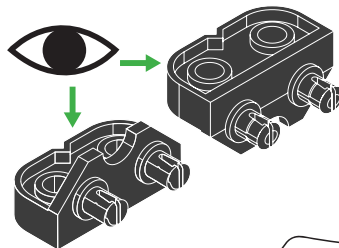


Count before you connect • Contar antes de conectar • Compter avant de connecter • Contare i pezzi prima di collegarli • Erst zählen, dann verbinden • Policz, zanim połączysz • Tell voordat u aansluit

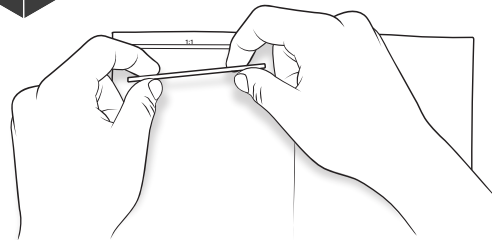
1:1



Scan to download the  
**VEX IQ Part Ruler PDF**



Confirm orientation  
Confirmar orientación  
Confirmez l'orientation  
Confermare l'orientamento  
Ausrichtung prüfen  
Potwierdź orientację  
Bevestig orientatie



Check pieces against actual size in manual  
Verificar partes contra tamaño real en el manual  
Verifiez les pièces contre leurs tailles réelles dans le manuel  
Controllare le dimensioni dei pezzi nel manuale rispetto alla grandezza naturale  
Bauteile mit der originalgröße in der anleitung vergleichen  
Sprawdź elementy względem rzeczywistego rozmiaru w instrukcji  
Check stukken tegen de werkelijke grootte in de handmatige



Alert  
Alerta  
Alerte  
Attenzione  
Warnung  
Ostrzeżenie  
Waakschuwing

Correct  
Correcto  
Correcte  
Corretto  
Richtig  
Prawidłowo  
Correct

Pivot  
Pivote  
Pivot  
Imperniare  
Drehbar lagern  
Obracać się na osi  
Draaien

Incorrect  
Incorrecto  
Incorrecte  
Non corretto  
Falsch  
Nieprawidłowo  
Verkeerd

Alternate view  
Vista alternativa  
Autre vue  
Vista alternativa  
Andere ansicht  
Widok alternatywny  
Vitzicht

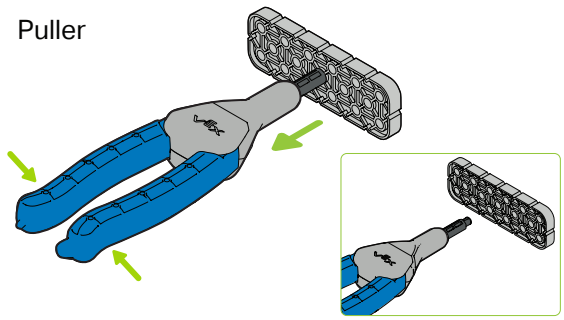
Size  
Tamaño  
Taille  
Dimensione  
Größe  
Rozmiar  
Grootte

Notice  
Aviso  
Avis  
Fare attenzione  
Hinweis  
Zwróć uwagę  
Opmerken

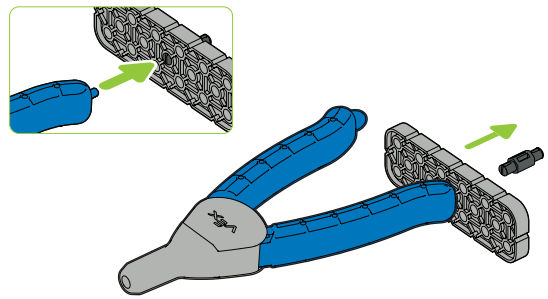
Rotate  
Girar  
Faire tourner  
Ruotare  
Drehen  
Obróć  
Draaien

Flip  
Voltear  
Retourner  
Capovolgere  
Umdrehen  
Przerzuć  
Omdraaien

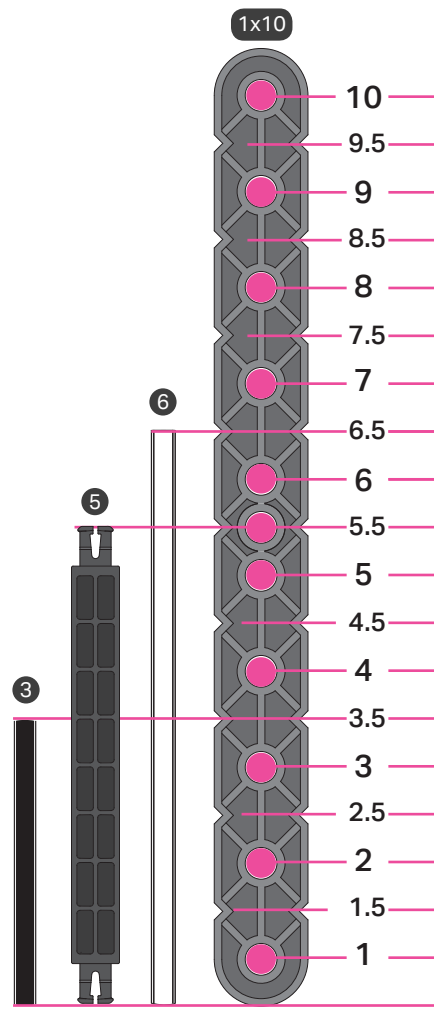
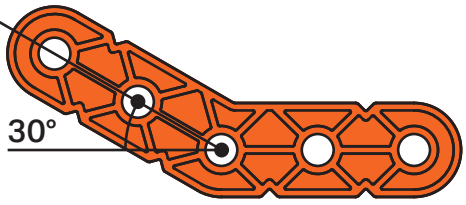
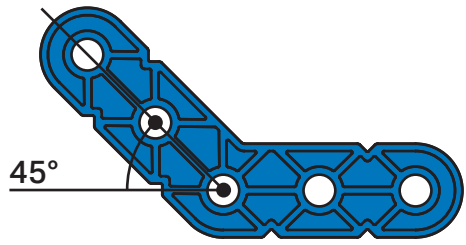
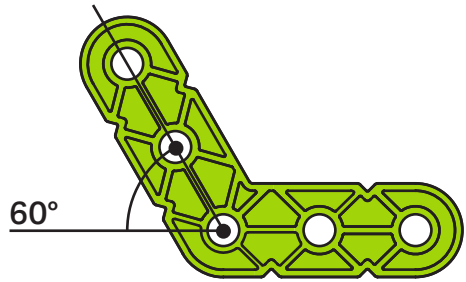
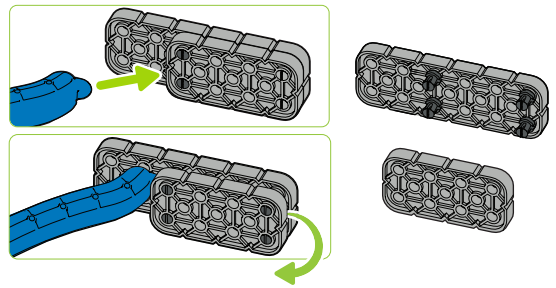
### Puller

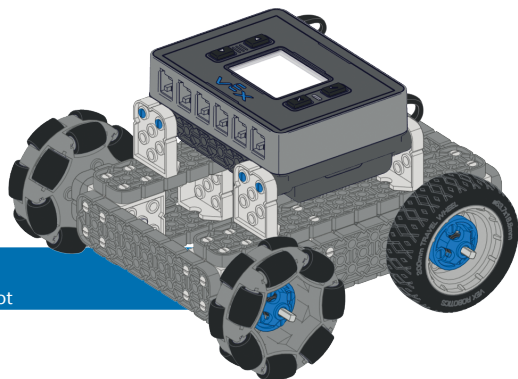


### Pusher



### Lever





1x

BaseBot



4x

0.25x

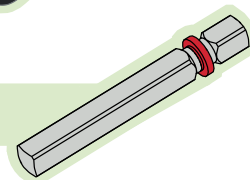
Pitch Shaft Spacer



2x

2

Pitch Motor Shaft



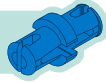




**12x**

**1x1**

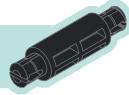
Connector Pin



**2x**

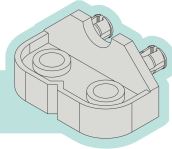
**1x**

Pitch Standoff



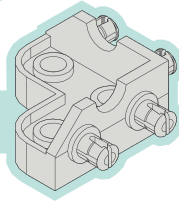
**2x**

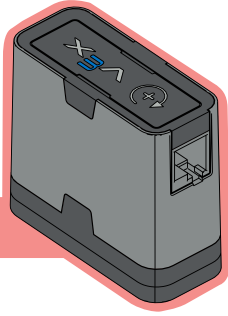
2x Wide, 1x2  
Corner Connector



**2x**

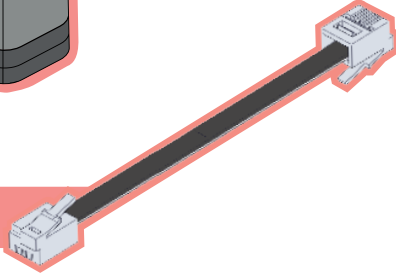
Large Chassis  
Corner Connector





1x

Smart Motor



1x

200mm  
Smart Cable



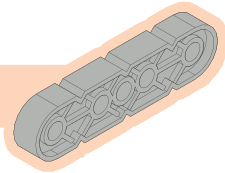
2x

Traction Link



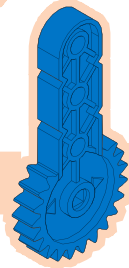
2x

1x4  
Beam



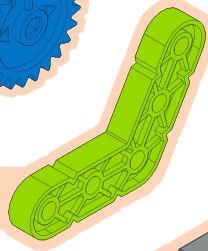
2x

1x4  
Crank Arm with 23 Tooth Gear



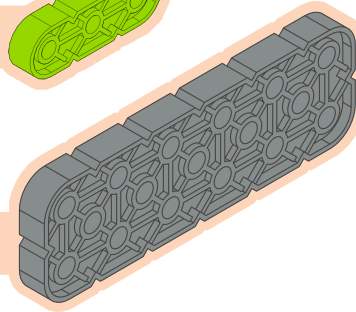
2x

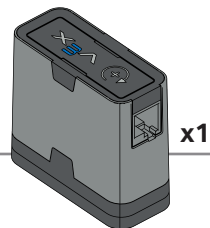
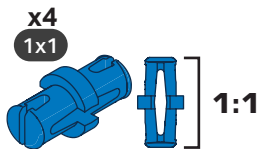
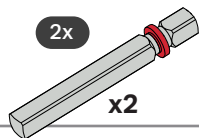
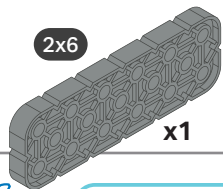
3x3  
60° Angle Beam



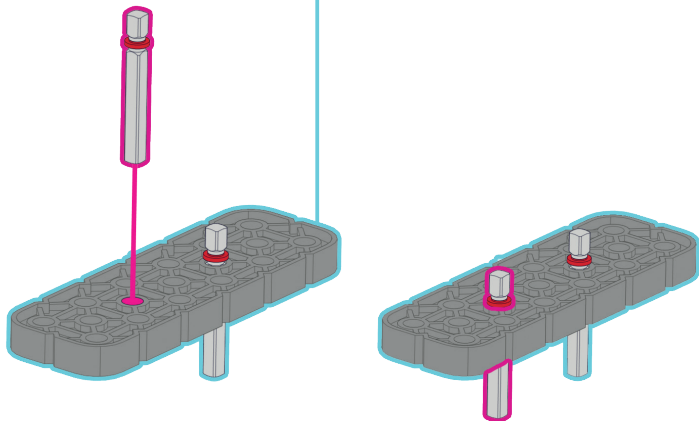
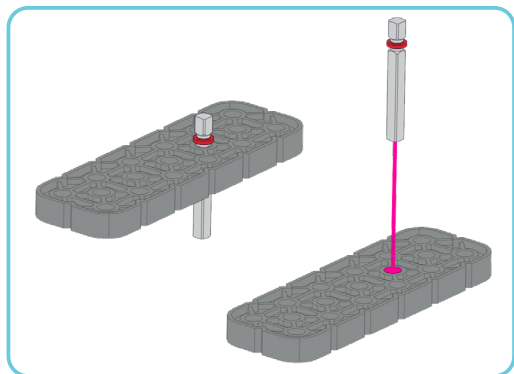
2x

2x6  
Beam

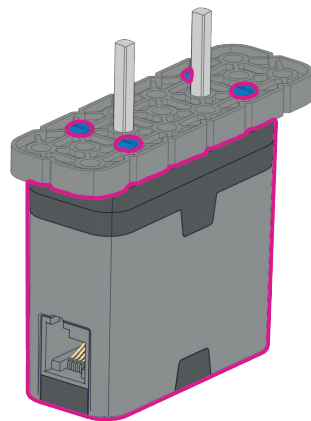
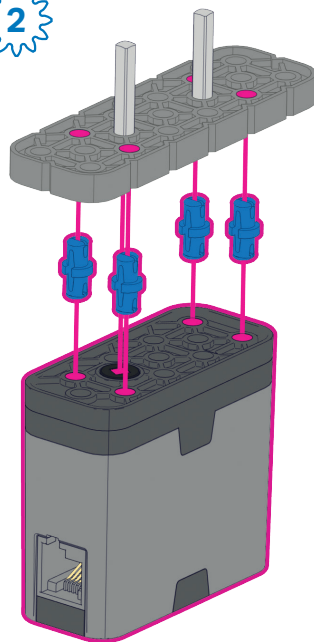


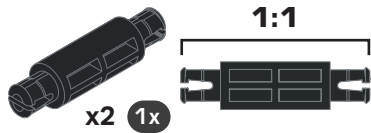


1

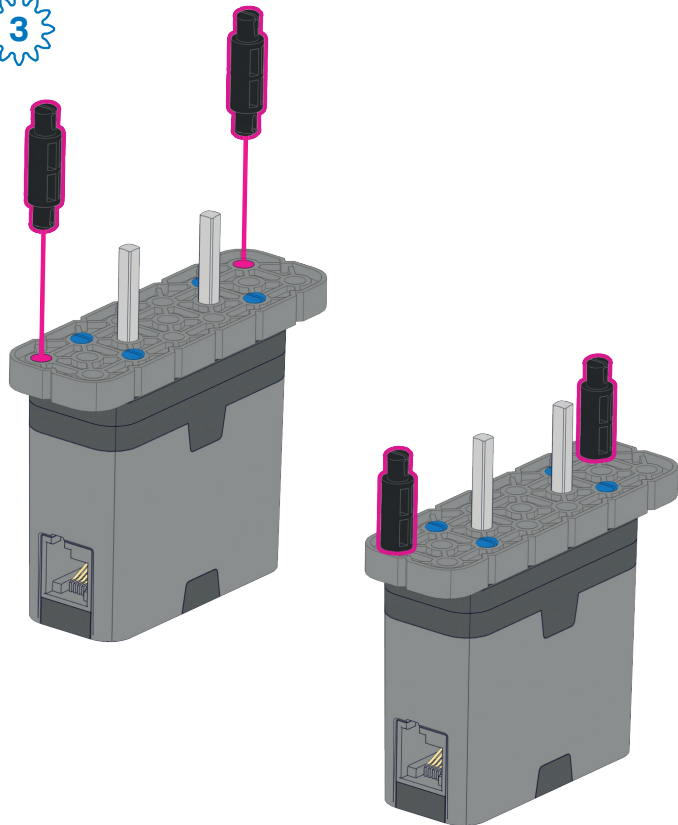


2

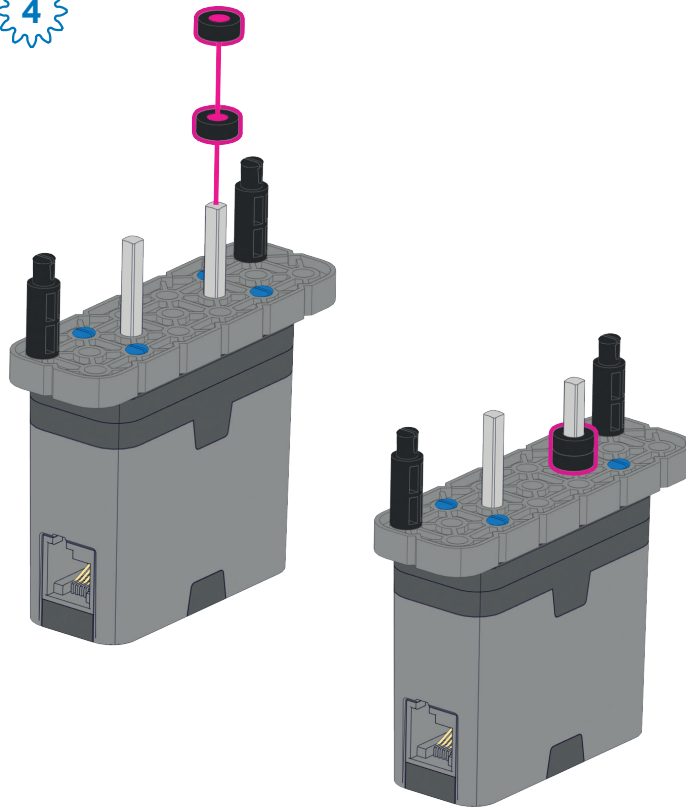




3



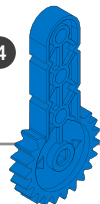
4





x2

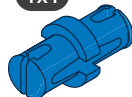
1x4



x1

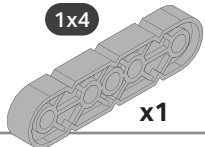
x4

1x1



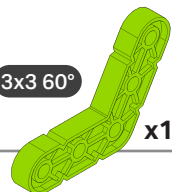
1:1

1x4



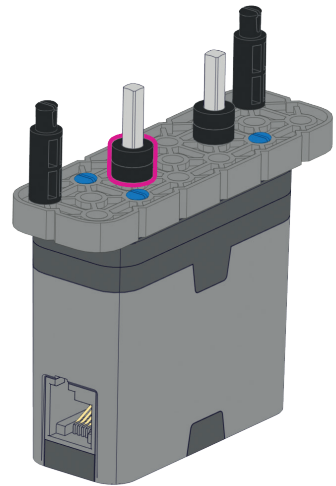
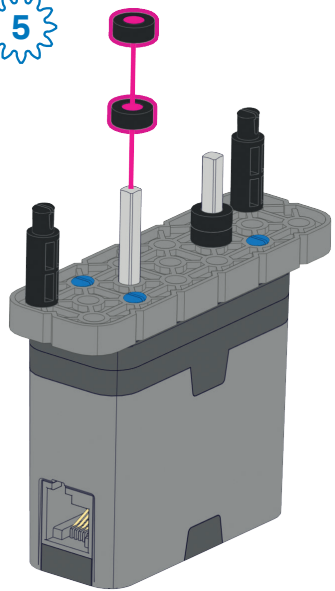
x1

3x3 60°

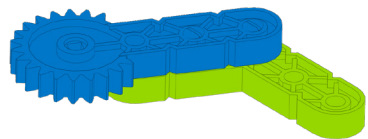
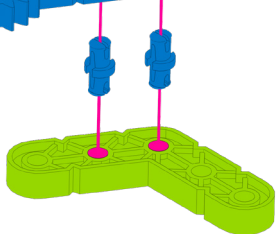
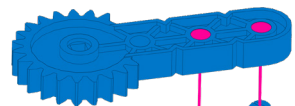


x1

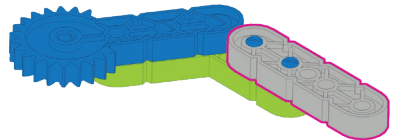
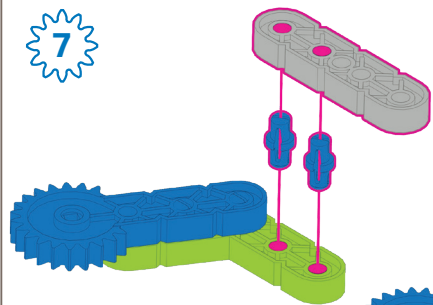
5



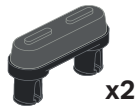
6



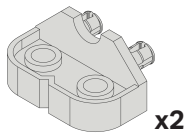
7







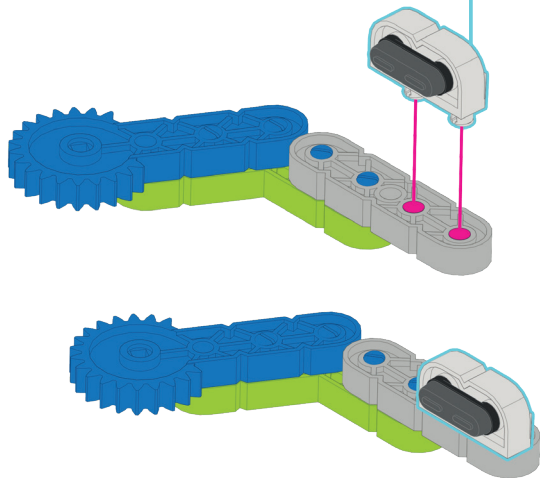
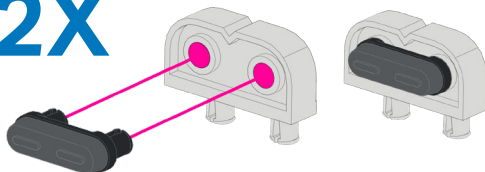
x2



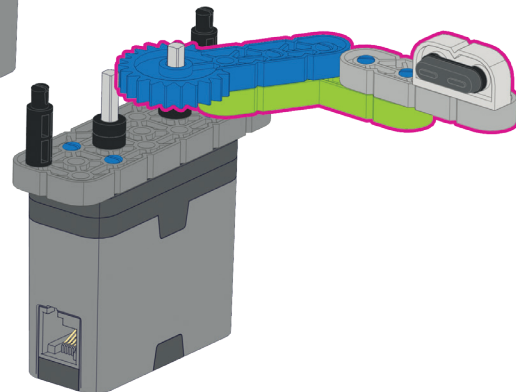
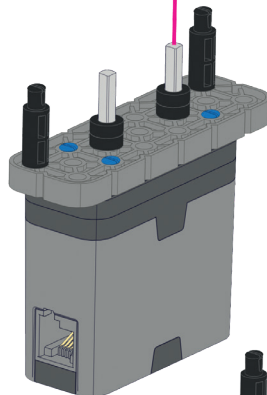
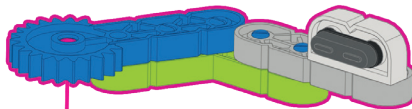
x2

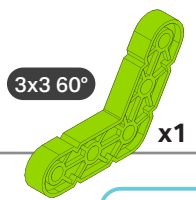
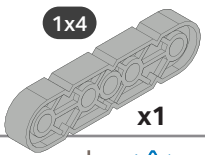
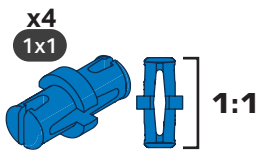
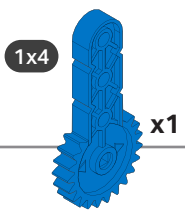
8

2X

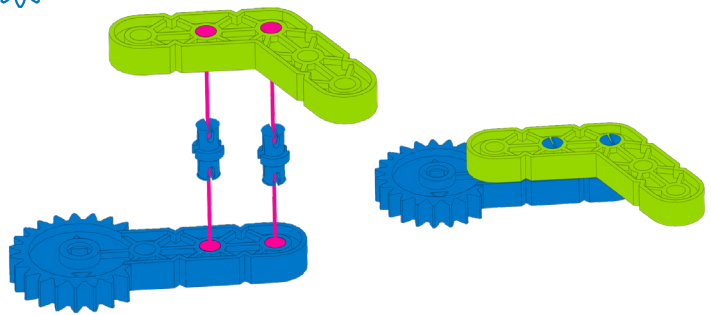


9

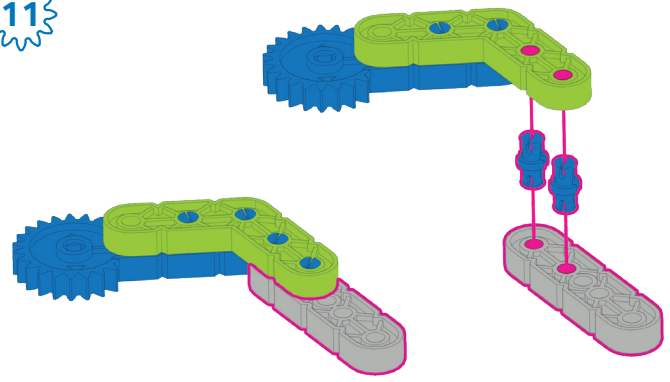




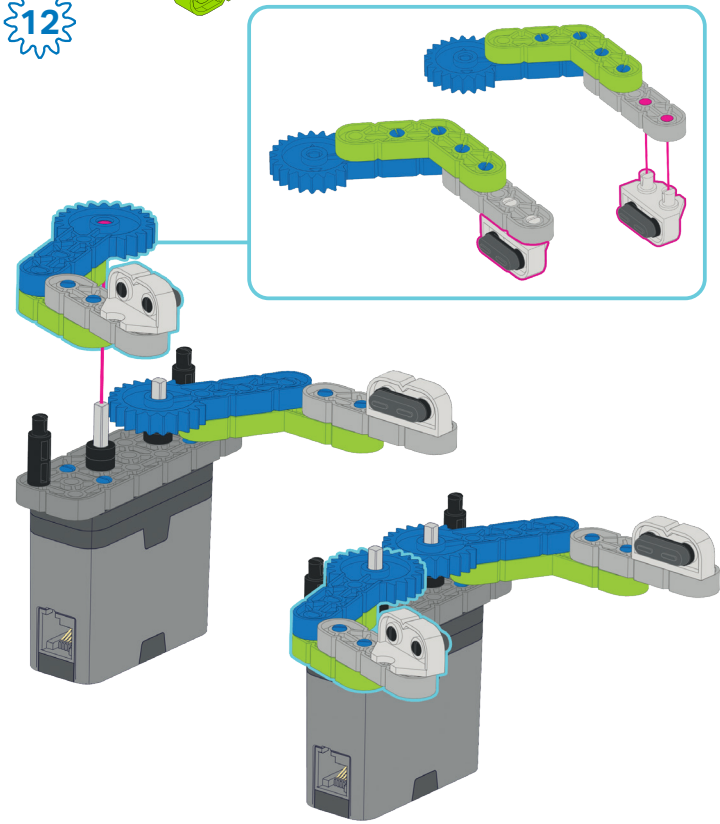
10



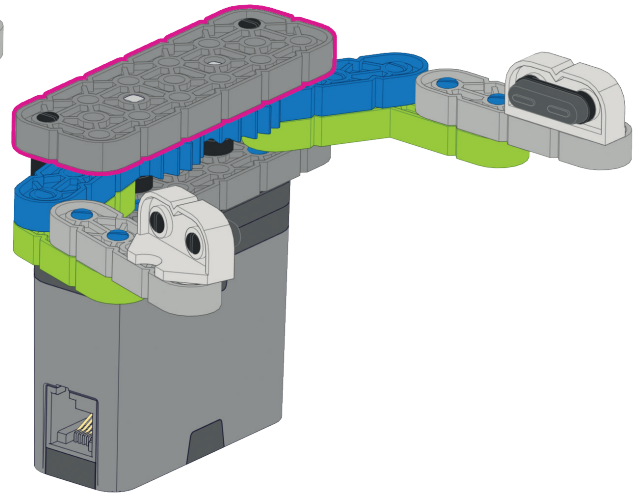
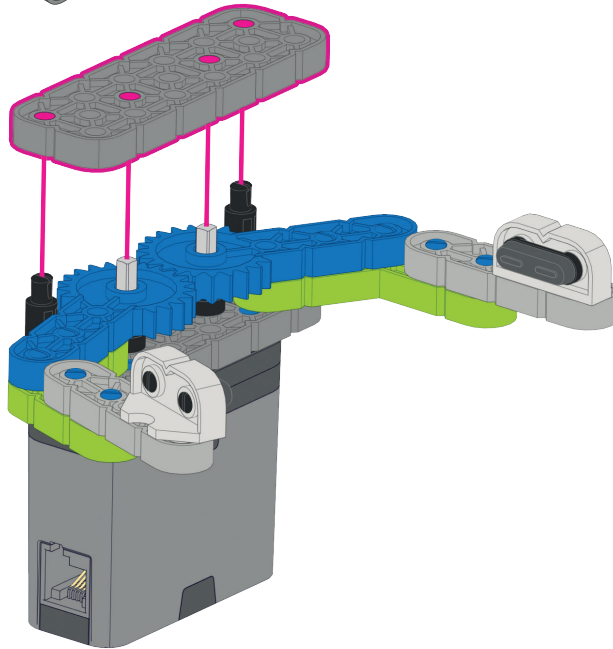
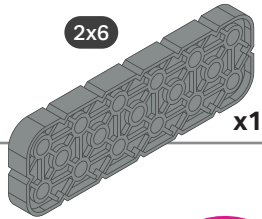
11

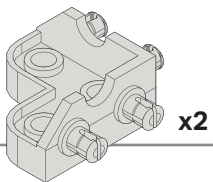


12

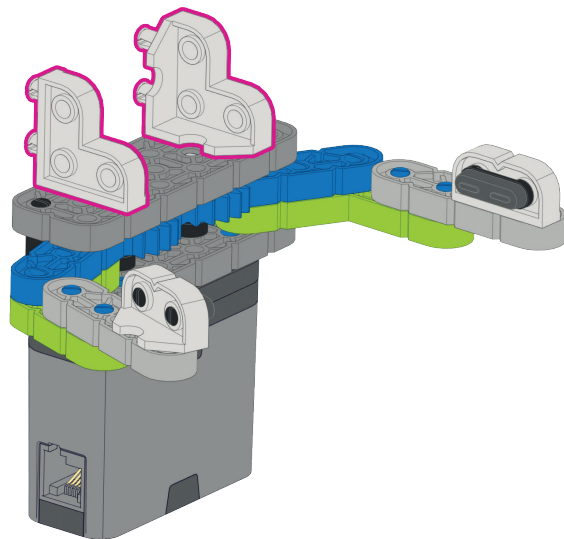
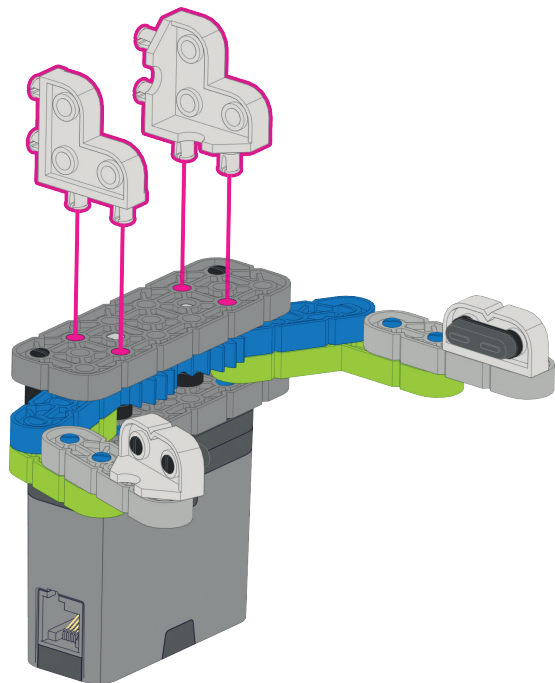


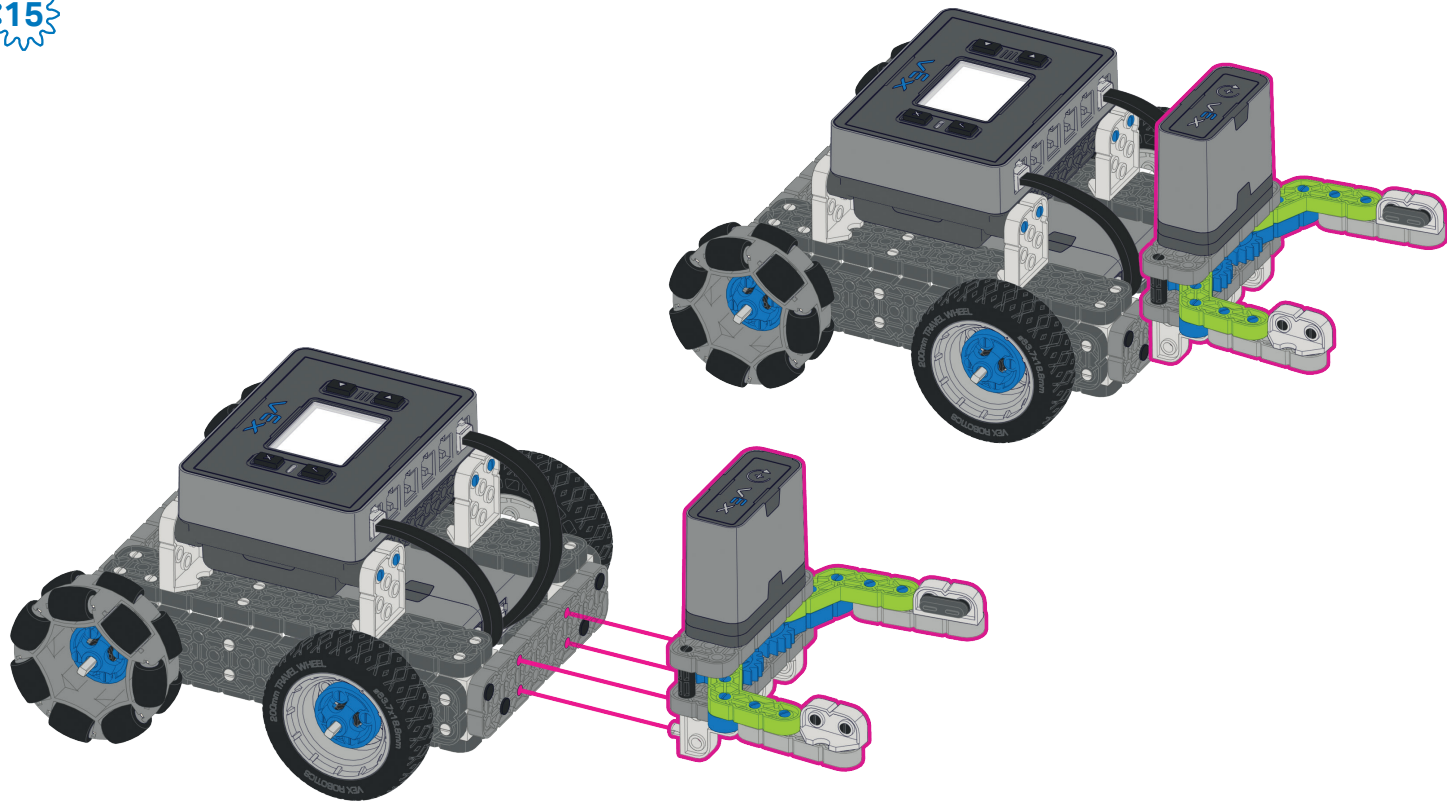
13





14

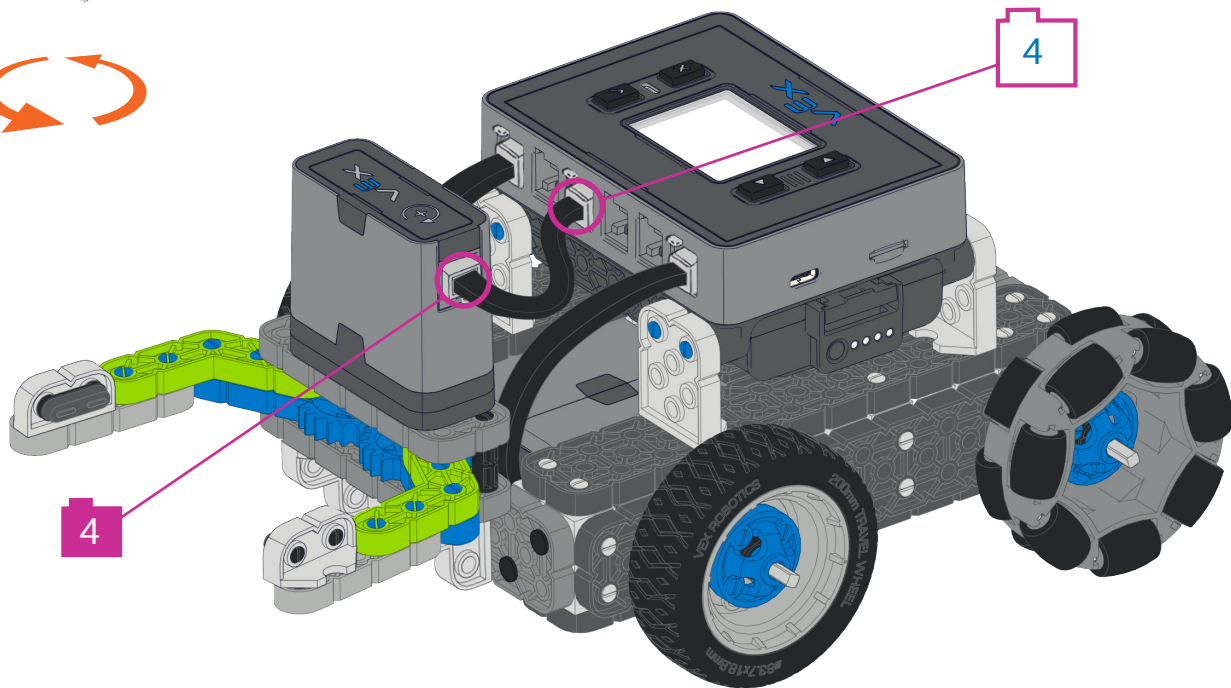




16

200mm

x1





# Simple Clawbot Build Instructions

228-8899 Rev2



Custom manufactured in China for Innovation First Trading SARL. Distributed in the U.S.A, Mexico, Caribbean, Central & South America by VEX Robotics, Inc., 6725 W. FM 1570, Greenville, TX 75402, U.S.A. Distributed in China by Innovation First International (Shenzhen), Ltd., Suite 1906, Excellence Tower, 98 Fuhua Yi Road, Futian, Shenzhen, Guangdong, China.518048. Distributed in other regions by Innovation First Trading SARL, Z.A.E. Wolser G, 315, 3434 – Dudelange, Luxembourg +352 27 86 04 87. Distributed in Canada by / Distribué au Canada par / Innovation First Trading, LLC, 6725 W. FM 1570, Greenville, TX 75402, U.S.A.